

4 Gallon Narrow Iced Tea Dispensers with feet

Features

Iced Tea Dispenser

- Dispenser has 4 gallon (15.1L) capacity
- Integrated lid retainer clips prevent tampering
- Two dispensers, placed side-by-side, allow added flexibility and twice the capacity within the same footprint as one TDO-4
- Front - back handles for reduced counterspace usage
- Three and four-gallon indicators
- TDO-N includes integrated drip tray (39600.0084 only)
- Low profile version adds capacity to Combined Beverage Business cell when placed above TDO-N on available stand
- Rapak faucet* supplied with TDO-N and TDO-N 4.0 LP dispensers - wing nut and clip included



TDO-N

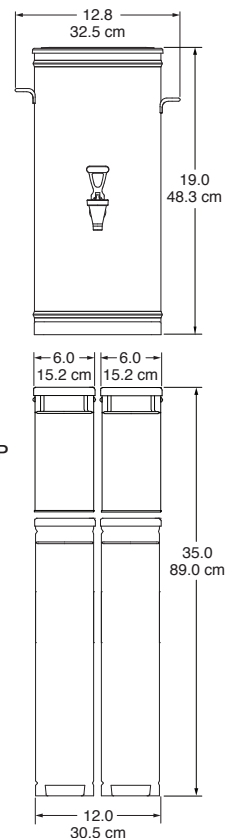
Dimensions:
21.1"H x 6"W x 25"D
(53.6cm H x 15.2cm W x 63.5cm D)



TDO-N-4.0 LP

Dimensions:
12.3"H x 6"W x 24.3"D
(31.2m H x 15.2cm W x 62.0cm D)

Space Saving:
TDO-N-4.0 LP's placed above TDO-N's in the CBB cell create additional capacity.



Related Products

Drip Tray

Product No.: 39626.0000



Replacement Lid

Product No.: 39624.0000



Drip Tray Cover

Product No.: 39627.0000



Rapak Faucet*

Product No.: 47326.0000



Lid Retainer Clip Kit

Product No.: 46248.0000



TDO-N Locater Guide

Product No.: 39696.0000



*Faucet for use with tea and coffee dispenser liners only.

Model

Agency Listing

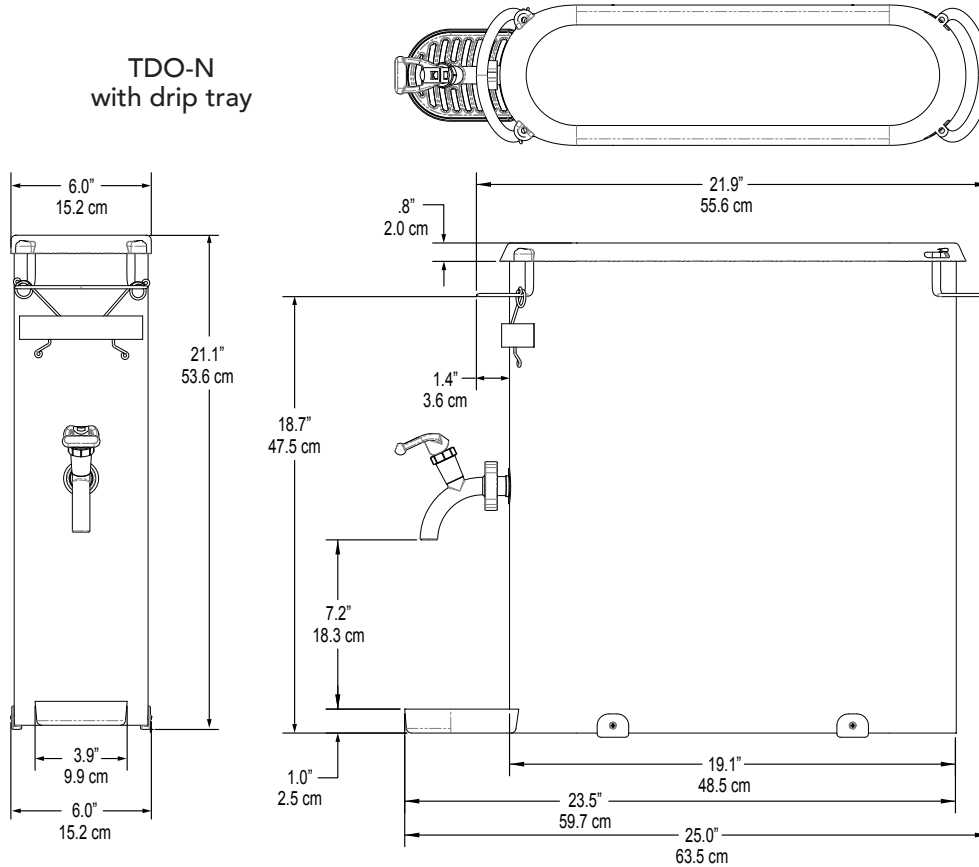
TDO-N
TDO-N-4.0 LP



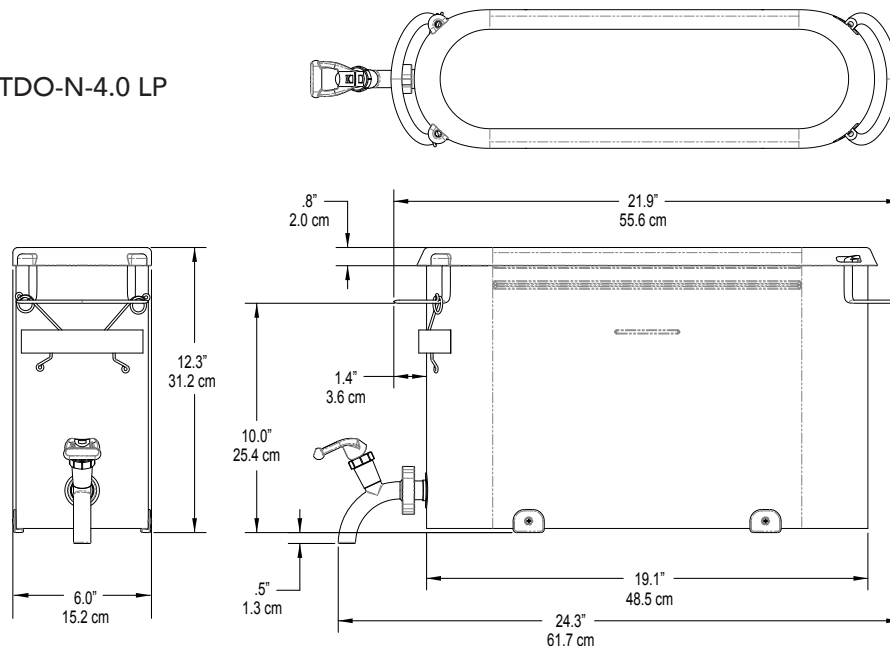
Dimensions & Specifications

Model	Product #	Capacity	Handles	Cubic Measure	Shipping Weight
TDO-N <i>includes integrated drip tray</i>	39600.0084	4 Gallons (15.1 litres)	Front/Back	2.2 ft ³	12.3 lbs.
TDO-N-4.0 LP	39600.0085	4 Gallons (15.1 litres)	Front/Back	1.16 ft ³	9.3 lbs.

TDO-N
with drip tray



TDO-N-4.0 LP



Bunn-O-Matic® Corporation - 5020 Ash Grove Drive, Springfield, Illinois 62711 • 800-637-8606 • 217-529-6601 • www.bunn.com

BUNN® practices continuous product research and improvement. We reserve the right to change specifications and product design without notice. Such revisions do not entitle the buyer to corresponding changes, improvements, additions or replacements for previously purchased equipment. All dimensions shown in inches and centimeters.