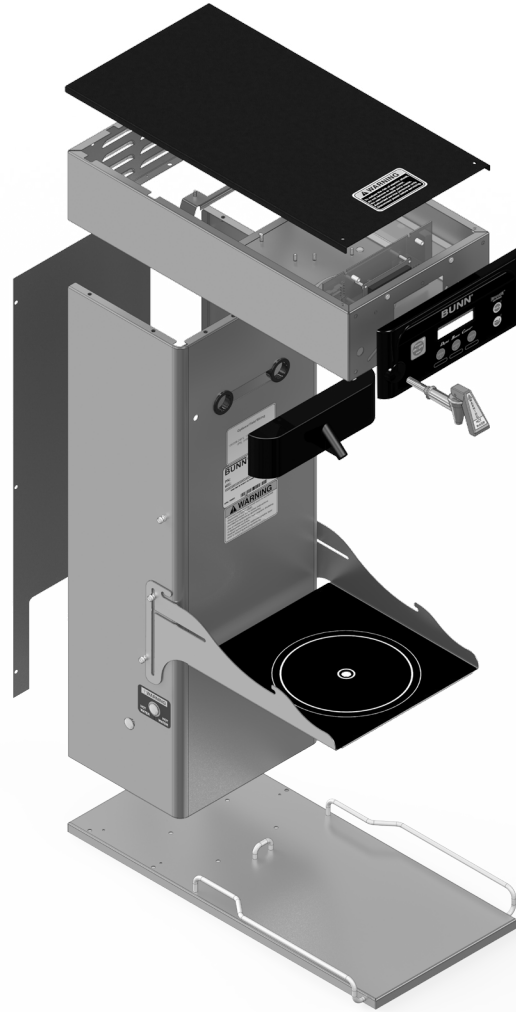




***ITCB***  
***ITCB-DV***  
***Infusion Series®***



## **ILLUSTRATED PARTS CATALOG**

Designs, materials, weights, specifications, and dimensions for equipment or replacement parts are subject to change without notice.

### **BUNN-O-MATIC CORPORATION**

POST OFFICE BOX 3227

SPRINGFIELD, ILLINOIS 62708-3227

PHONE: (217) 529-6601 FAX: (217) 529-6644



## BUNN-O-MATIC COMMERCIAL PRODUCT WARRANTY

Bunn-O-Matic Corp. ("BUNN") warrants equipment manufactured by it as follows:

- 1) Airpots, thermal carafes, decanters, GPR servers, iced tea/coffee dispensers, MCR/MCP/MCA single cup brewers, thermal servers and ThermoFresh® servers (mechanical and digital) 1 year parts and 1 year labor.
- 2) All other equipment - 2 years parts and 1 year labor plus added warranties as specified below:
  - a) Electronic circuit and/or control boards - parts and labor for 3 years.
  - b) Compressors on refrigeration equipment - 5 years parts and 1 year labor.
  - c) Grinding burrs on coffee grinding equipment to grind coffee to meet original factory screen sieve analysis - parts and labor for 4 years or 40,000 pounds of coffee, whichever comes first.

These warranty periods run from the date of installation BUNN warrants that the equipment manufactured by it will be commercially free of defects in material and workmanship existing at the time of manufacture and appearing within the applicable warranty period. This warranty does not apply to any equipment, component or part that was not manufactured by BUNN or that, in BUNN's judgment, has been affected by misuse, neglect, alteration, improper installation or operation, improper maintenance or repair, non periodic cleaning and descaling, equipment failures related to poor water quality, damage or casualty. In addition, the warranty does not apply to replacement of items subject to normal use including but not limited to user replaceable parts such as seals and gaskets. This warranty is conditioned on the Buyer 1) giving BUNN prompt notice of

any claim to be made under this warranty by telephone at (217) 529-6601 or by writing to Post Office Box 3227, Springfield, Illinois 62708-3227; 2) if requested by BUNN, shipping the defective equipment prepaid to an authorized BUNN service location; and 3) receiving prior authorization from BUNN that the defective equipment is under warranty.

**THE FOREGOING WARRANTY IS EXCLUSIVE AND IS IN LIEU OF ANY OTHER WARRANTY, WRITTEN OR ORAL, EXPRESS OR IMPLIED, INCLUDING, BUT NOT LIMITED TO, ANY IMPLIED WARRANTY OF EITHER MERCHANTABILITY OR FITNESS FOR A PARTICULAR PURPOSE.** The agents, dealers or employees of BUNN are not authorized to make modifications to this warranty or to make additional warranties that are binding on BUNN. Accordingly, statements by such individuals, whether oral or written, do not constitute warranties and should not be relied upon.

If BUNN determines in its sole discretion that the equipment does not conform to the warranty, BUNN, at its exclusive option while the equipment is under warranty, shall either 1) provide at no charge replacement parts and/or labor (during the applicable parts and labor warranty periods specified above) to repair the defective components, provided that this repair is done by a BUNN Authorized Service Representative; or 2) shall replace the equipment or refund the purchase price for the equipment.

**THE BUYER'S REMEDY AGAINST BUNN FOR THE BREACH OF ANY OBLIGATION ARISING OUT OF THE SALE OF THIS EQUIPMENT, WHETHER DERIVED FROM WARRANTY OR OTHERWISE, SHALL BE LIMITED, AT BUNN'S SOLE OPTION AS SPECIFIED HEREIN, TO REPAIR, REPLACEMENT OR REFUND.**

In no event shall BUNN be liable for any other damage or loss, including, but not limited to, lost profits, lost sales, loss of use of equipment, claims of Buyer's customers, cost of capital, cost of down time, cost of substitute equipment, facilities or services, or any other special, incidental or consequential damages.

392, A Partner You Can Count On, Air Infusion, AutoPOD, AXIOM, BrewLOGIC, BrewMETER, Brew Better Not Bitter, BrewWISE, BrewWIZARD, BUNN Espresso, BUNN Family Gourmet, BUNN Gourmet, BUNN Pour-O-Matic, BUNN, BUNN with the stylized red line, BUNNlink, Bunn-O-Matic, Bunn-O-Matic, BUNNserve, BUNNSERVE with the stylized wrench design, Cool Froth, DBC, Dr. Brew stylized Dr. design, Dual, Easy Pour, EasyClear, EasyGard, FlavorGard, Gourmet Ice, Gourmet Juice, High Intensity, iMIX, Infusion Series, Intellisteam, My Café, Phase Brew, PowerLogic, Quality Beverage Equipment Worldwide, Respect Earth, Respect Earth with the stylized leaf and coffee cherry design, Safety-Fresh, savemycoffee.com, Scale-Pro, Silver Series, Single, Smart Funnel, Smart Hopper, SmartWAVE, Soft Heat, SplashGard, The Mark of Quality in Beverage Equipment Worldwide, ThermoFresh, Titan, trifacta, TRIFECTA (stylized logo), Velocity Brew, Air Brew, Beverage Bar Creator, Beverage Profit Calculator, Brew better, not bitter., Build-A-Drink, BUNNsource, Coffee At Its Best, Cyclonic Heating System, Daypart, Digital Brewer Control, Element, Milk Texturing Fusion, Nothing Brews Like a BUNN, Picture Prompted Cleaning, Pouring Profits, Signature Series, Sure Tamp, Tea At Its Best, The Horizontal Red Line, Ultra are either trademarks or registered trademarks of Bunn-O-Matic Corporation. The commercial trifacta® brewer housing configuration is a trademark of Bunn-O-Matic Corporation.

## TABLE OF CONTENTS

Hood, Trunk, Base and Panels.....	4
Tank and Components.....	8
Dispense Valve and Sprayhead .....	10
Faucet and Lines .....	12
Fill, Dilution & Tank Drain.....	14
Models w/Sweetener.....	16
Models w/Sweetener & Triac.....	18
Fill, Dilution & Tank Drain - Early Models & CE.....	20
Electrical and Operating Controls.....	24
Funnels .....	28
Numerical Index.....	30

ITCB-DV.....	Dual Voltage Machine
ITCB-C-DV .....	Dual Voltage Machine for Canada
ITCBA.....	230 Volt Machine
ITCBB.....	200 Volt Machine

Fraction	Decimal		Fraction	Decimal
<b>1/16</b>	0.063		<b>9/16</b>	0.563
<b>1/8</b>	0.125		<b>5/8</b>	0.625
<b>3/16</b>	0.188		<b>11/16</b>	0.688
<b>1/4</b>	0.250		<b>3/4</b>	0.750
<b>5/16</b>	0.313		<b>13/16</b>	0.813
<b>3/8</b>	0.375		<b>7/8</b>	0.875
<b>7/16</b>	0.438		<b>15/16</b>	0.938
<b>1/2</b>	0.500		<b>1</b>	1.000

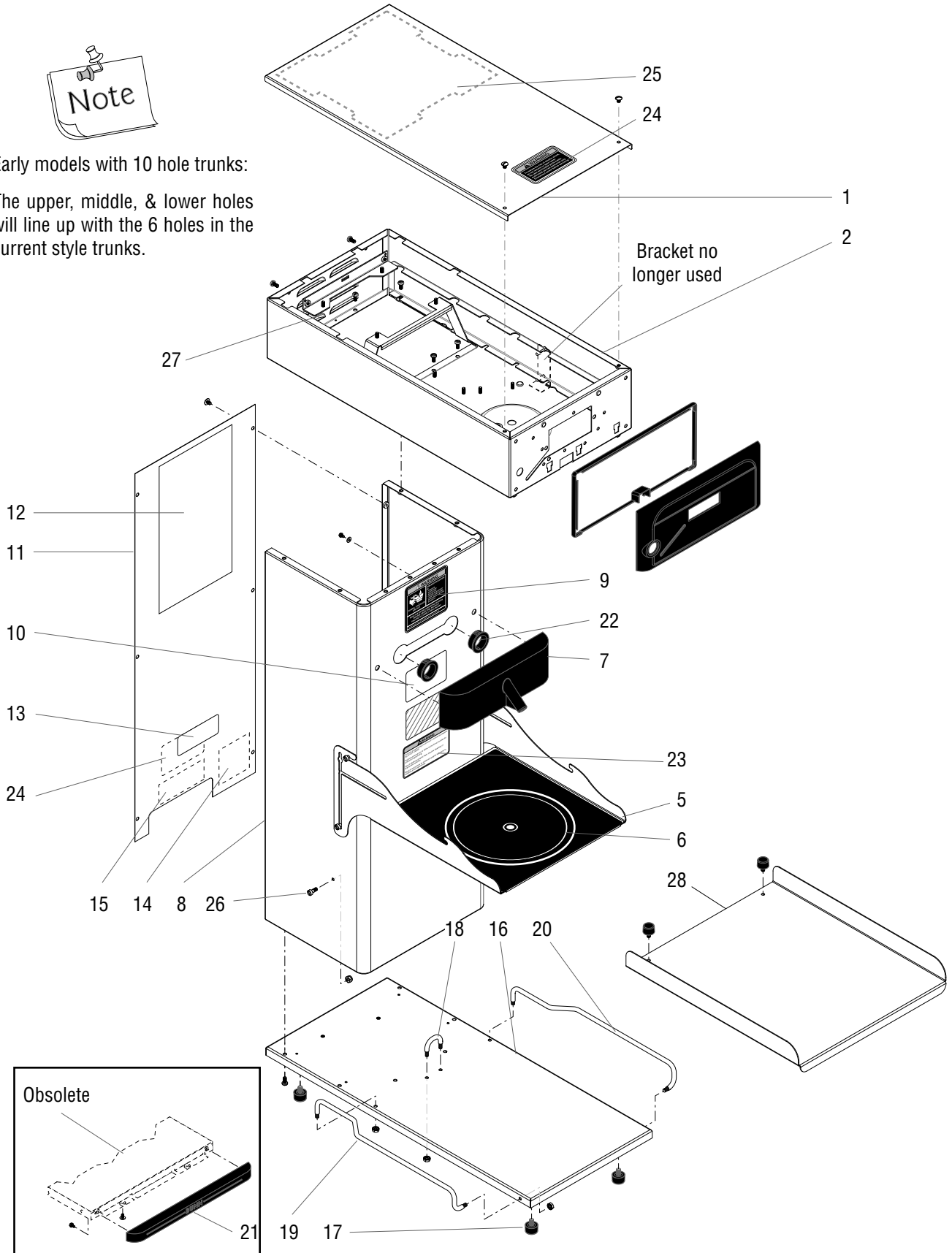


# HOOD, TRUNK, BASE AND PANELS

# ITCB ITCB-DV



Early models with 10 hole trunks:  
The upper, middle, & lower holes will line up with the 6 holes in the current style trunks.



## HOOD, TRUNK, BASE AND PANELS

ITEM	PART NO.	QTY.	DESCRIPTION
1	36355.1006	1	Cover, Top (1 Screw) (Includes items 24 & 25)
	01308.0000	1	Screw, Truss Head #6-32 x .25"
	36355.1010	1	Cover, Top (2 Screws) (Includes items 24 & 25)
	01308.0000	2	Screw, Truss Head #6-32 x .25"
2		1	Hood, Early Style w/Memory Board <b>(Not Available, Order 36354.0004)</b>
	36354.0004	1	Hood, w/o Memory Board (1 Screw)
	36354.0010	1	Hood, w/o Memory Board (2 Screws)
	36354.0005	1	Hood, Dual Dilution Only (1 Screw)
	36354.0011	1	Hood, Dual Dilution Only (2 Screws)
	02308.0000	8	Screw, Pan Head #8-32 x .38"
5	38704.1002	1	Flip Tray w/Decal
6	38578.0000	1	Decal
7	36360.1001	1	Kit, Dilution Nozzle (Includes Elbow fitting)
	36360.1002	1	Kit, Dilution Nozzle (Includes Tee fitting) <b>FOR FACTORY SWEETENER ONLY</b>
	02332.0005	2	Screw, Hex #6 x .38"
8		1	Trunk w/Decals 29.0" (10 mtg. hole) <b>(Not Available, Order 36353.1007)</b>
	36353.1001	1	Trunk w/Decals 25.75" (Includes item 9 & 10) (8 mtg. hole) No Switch
		1	Trunk, Flip Tray w/Decals 28.8" No Switch <b>(Not Available, order 38580.1012)</b>
	38580.1001	1	Trunk, Flip Tray w/Decals 28.8" (Includes items 9, 10, 23, & 26) w/Rocker Switch
	38580.1012	1	Trunk, Flip Tray & Faucet w/Decals 28.8" (Includes items 9, 10, 23, & 26) w/Toggle
			Trunk, Flip Tray & Side Faucet w/Toggle 28.8" (CE Only) <b>(Not Available)</b>
	36353.1031	1	Trunk, Side Faucet w/Decals 25.75" (Includes items 9, 10, 23, & 26) w/Toggle Sw
	36353.1032	1	Trunk, Flip Tray w/Decals 25.75" (Includes items 9, 10, 23, & 26) w/Toggle Sw
		1	Trunk, Flip Tray 25.75" w/Toggle Sw (CE Only) <b>(Not Available)</b>
	02308.0000	6	Screw, Pan Head #8-32 x .38"
9	00658.0000	1	Decal, Warning - Decanter/Funnel
10	29710.0009	1	Decal, Optional Field Wiring (Models ITCB-DV)
	29710.0010	1	Decal, Optional Field Wiring (Models ITCB-C-DV)
11		1	Panel w/Decals 29.0" (10 mtg.hole) (ITCB-DV) <b>(Not Available, Order 36356.1008)</b>
	01311.0001	10	Screw, Truss Head #8-32 x .25"
	36356.1008	1	Panel w/Decals 29.0" (6 mtg.hole) (Includes items 12-15 & 24) (ITCB-DV)
	01311.0001	6	Screw, Truss Head #8-32 x .25"
	36356.1001	1	Panel w/Decals 25.75" (8 mtg. hole) (Includes items 12-15 & 24) (ITCB-DV)
	01311.0001	8	Screw, Truss Head #8-32 x .25"
	36356.1013	1	Panel w/Decals 25.75" (6 mtg. hole) (Includes items 12-15 & 24) (ITCB-DV)
	01311.0001	6	Screw, Truss Head #8-32 x .25"
		1	Panel 25.75" (8 mtg. hole) (ITCB-C-DV) <b>(Not Available, Order 36356.1001)</b>
	01311.0001	8	Screw, Truss Head #8-32 x .25"
	36356.1014	1	Panel w/Decals 25.75" (6 mtg. hole) (Includes items 12-15 & 24) (ITCB-C-DV)
	01311.0001	6	Screw, Truss Head #8-32 x .25"
		1	Panel 25.75" (8 mtg. hole) (ITCBA & ITCBB) <b>(Not Available, Order 36356.1001)</b>
	01311.0001	8	Screw, Truss Head #8-32 x .25"
		1	Panel 25.75" (6 mtg. hole) (ITCBA & ITCBB) <b>(Not Available, Order 36356.1014)</b>
	01311.0001	6	Screw, Truss Head #8-32 x .25"
	36356.1106	1	Panel w/Decals 29.0" SST (7 mtg. hole) (Includes items 14,15 & 24)
	36356.1107	1	Panel w/Decals 29.0" BLK (7 mtg. hole) (Includes items 14,15 & 24)
	36356.1108	1	Panel w/Decals 25.75" SST (7 mtg. hole) (Includes items 14,15 & 24)
01311.0001	7	Screw, Truss Head #8-32 x .25"	

(continued)

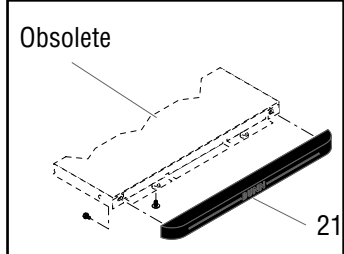
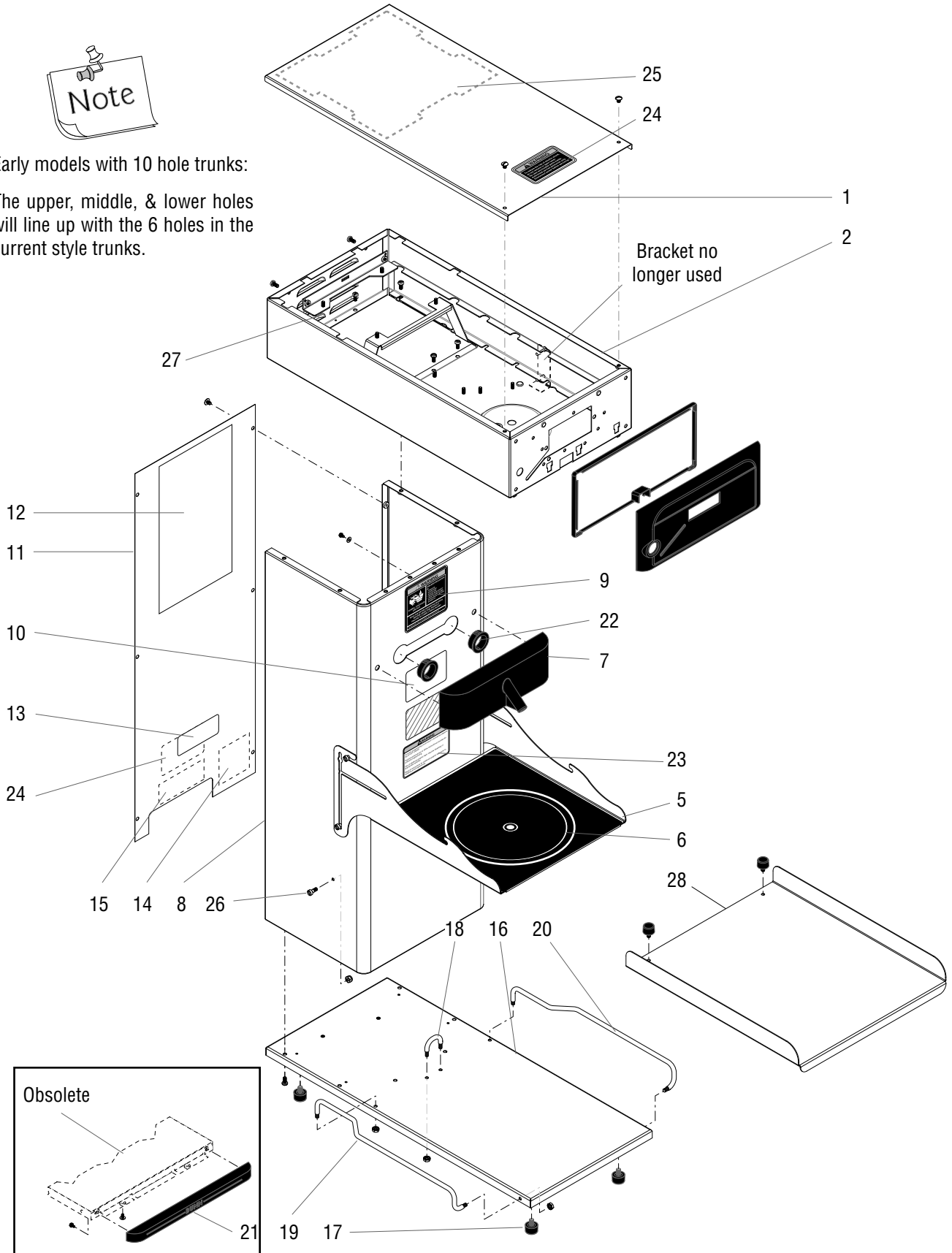


# HOOD, TRUNK, BASE AND PANELS

# ITCB ITCB-DV



Early models with 10 hole trunks:  
The upper, middle, & lower holes will line up with the 6 holes in the current style trunks.



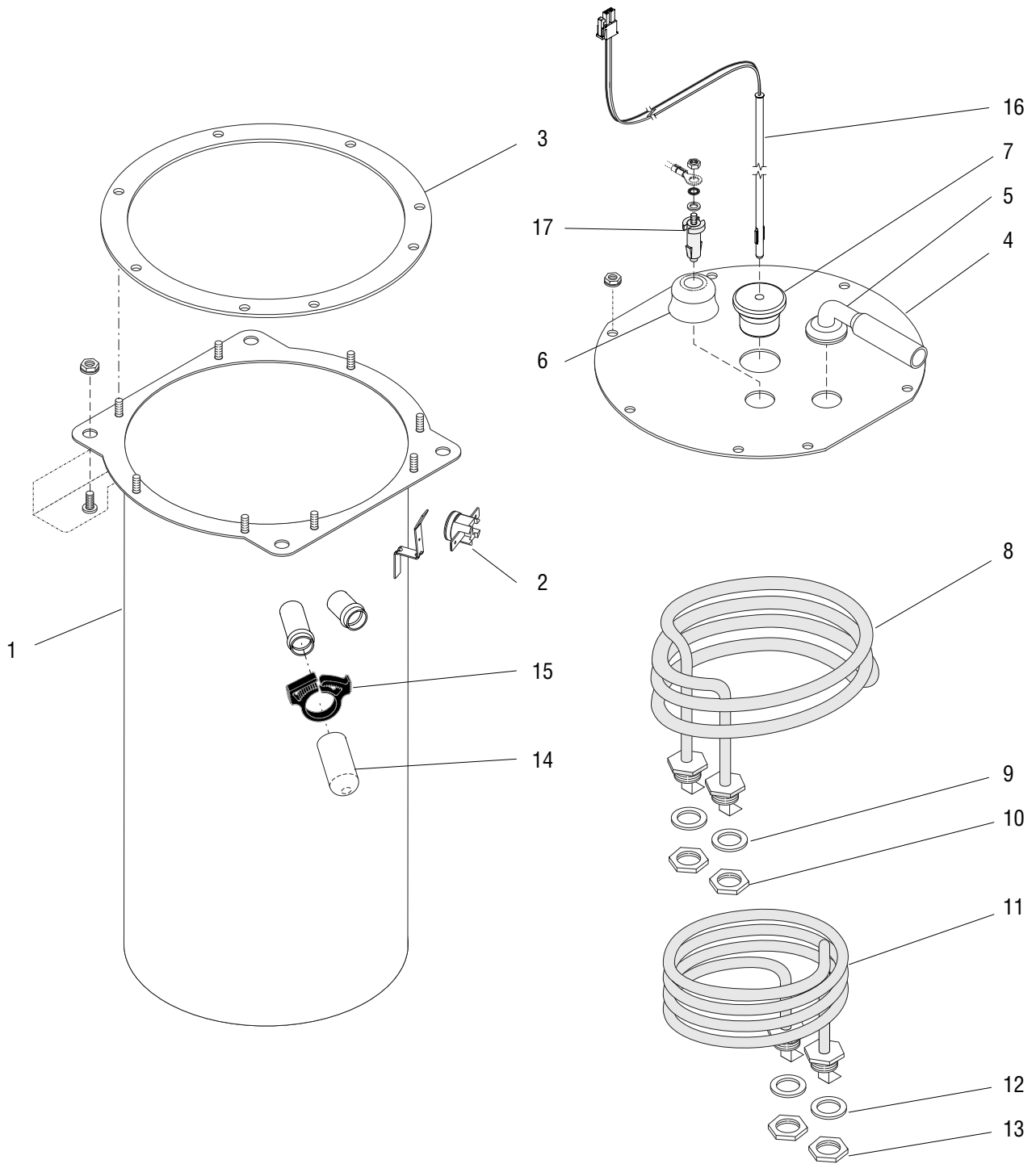
## HOOD, TRUNK, BASE AND PANELS

ITEM	PART NO.	QTY.	DESCRIPTION
12	36460.0000	1	Schematic, ITCB-DV (120VAC, 120/240VAC) US & Canada
		1	Schematic, ITCBA, ITCBB (200VAC, 230VAC)
	36460.0003	1	Schematic, ITCB-DV w/Optional Swtnr Kit (120VAC, 120/240VAC) US & Canada
	36460.0004	1	Schematic, ITCB-DV w/Factory Sweetener (120VAC, 120/240VAC) US & Canada
	36460.0008	1	Schematic, ITCB-DV w/Optional Swtnr Kit (w/External Triac) US & Canada
	36460.0009	1	Schematic, ITCB-DV w/Factory Sweetener & Lo Prod Detect (w/External Triac)
	36460.0010	1	Schematic, ITCB-120/208VAC (w/External Triac) US & Canada
	36460.0011	1	Schematic, ITCB-DV w/Factory Sweetener (w/External Triac) US & Canada
	36460.0013	1	Schematic, ITCB-A/B/CE (w/External Triac)
13	34072.0000	1	Decal, Power Cord Warning
14	00986.0000	1	Decal, Warning - Electrical
15	00656.0000	1	Decal, Comply to Plumbing Code
16		1	Base, Early Models w/Trim ( <b>Order New Style Base 36362.0001</b> )
	36362.0001	1	Base, Models w/First Style Inlet Valve
	36362.0002	1	Base, Models w/Second Style Inlet Valve
	36362.0005	1	Base, Models 3rd Style for use with triac bracket
	39615.0004	1	Base, Models 3rd Style for use with triac bracket (CE Only)
17	25137.0001	4	Foot
	24600.0000	-	Foot Kit, Set of 4
18	36412.0000	1	Rail, Stop
	00991.0000	2	Nut, Elastic Lock #8-32
19	36461.0000	1	Guide Rail, Left
	00991.0000	2	Nut, Elastic Lock #8-32
20	36462.0000	1	Guide Rail, Right
	00991.0000	2	Nut, Elastic Lock #8-32
21	36361.0000	1	Trim, Base Cover
	01308.0002	2	Screw, Truss Head, Locking #6-32 x .25"
	02332.0005	2	Screw, Hex #6 x .375"
22	01592.0001	1	Snap Bushing
23	39175.0000	1	Decal, Warning Overlay Graphic
24	37881.0000	2	Decal, No Serviceable Parts
25	25151.0002	1	Shield, Insulator
26	29504.0005	6	Shoulder Screw, 8-32 x .29
	00991.0000	6	Nut, Elastic Lock 8-32
27	34118.0001	1	Bracket, Tank Support
	01317.0003	2	Screw, Truss Head #8-32 x .375"
28	41488.0001	1	Kit, Base Cover
	25137.0002	2	Foot
	01315.0000	2	Screw, Truss Head #8-32 x .375"
	00970.0000	4	Nut, Keps #8-32



# TANK & COMPONENTS

## ITCB ITCB-DV



P2888

## TANK & COMPONENTS

ITEM	PART NO.	QTY.	DESCRIPTION
1	33937.0004	1	Tank (Models ITCB-DV & ITCB-C-DV)
	33937.0003	1	Tank (Models ITCBA, 230V & ITCBB, 200V)
	00908.0000	4	Nut, Hex #8-32
2	29329.1000	1	Limit Thermostat
3	04221.0000	1	Gasket
4	28735.0000	1	Lid
	00908.0000	8	Nut, Hex #8-32
5	38969.0001	1	Fitting, 90° Silicone
6	38114.0000	1	Grommet, Liquid Level Probe
7	33801.0003	1	Grommet, Temp. Sensor
8	29485.1004	1	Tank Heater 1800W, 120V (Includes item 9) (Models ITCB-DV & ITCB-C-DV)
	05037.1000	1	Tank Heater 3500W, 230V (Includes item 9) (Models ITCBA, 230V)
	20942.1000	1	Tank Heater 3500W, 200V (Includes item 9) (Models ITCBB, 200V)
9	00943.0000	2	Gasket
10	00942.0000	2	Nut, Hex .50"-20
11	02755.1002	1	Tank Heater 1680W, 120V (Includes item 12) (Models ITCB-DV)
	02755.1000	1	Tank Heater 1425W, 120V (Includes item 12) (Models ITCB-C-DV)
12	00943.0000	2	Gasket
13	00942.0000	2	Nut, Hex .50"-20 (4 Used on DV Models)
14	29279.0000	1	Cap, Tube-Silicone
15	12422.0009	1	Clamp, Hose-Snap Type .71"-.80" ID
16	39085.1001	1	Probe Kit, Temperature and Dry Plug
17	07412.1002	1	Probe, Liquid Level
	01501.0000	1	Washer
	20203.0100	1	Lockwasher, Internal-tooth #8
	00908.0000	1	Nut, Hex #8-32

} Models without Faucet only

**The following items are not illustrated**

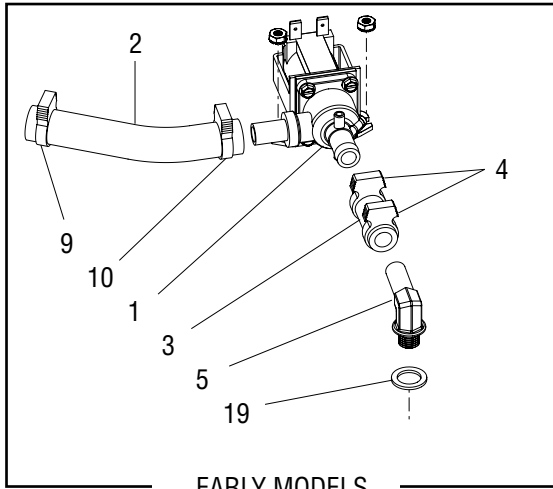
18	34074.1013	1	Kit, Tank Assembly ITCB-DV 1680/1800W
	34074.1014	1	Kit, Tank Assembly ITCB-C 1425/1800W
	34074.1015	1	Kit, Tank Assembly ITCBA (GE) 3500W 240V
	34074.1017	1	Kit, Tank Assembly ITCBB 3500W 200V

\* Indicates the part number listed is for reference only.

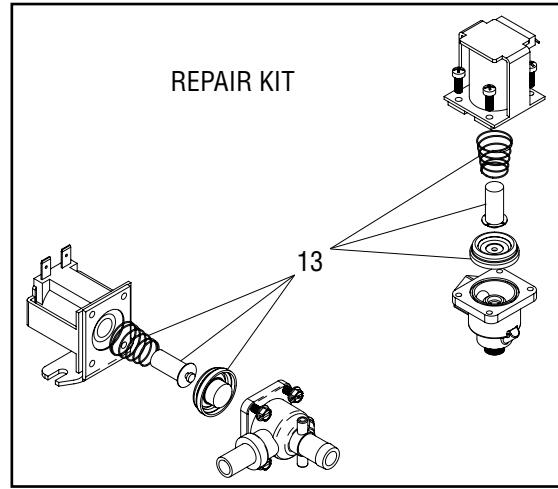


# DISPENSE VALVE & SPRAYHEAD

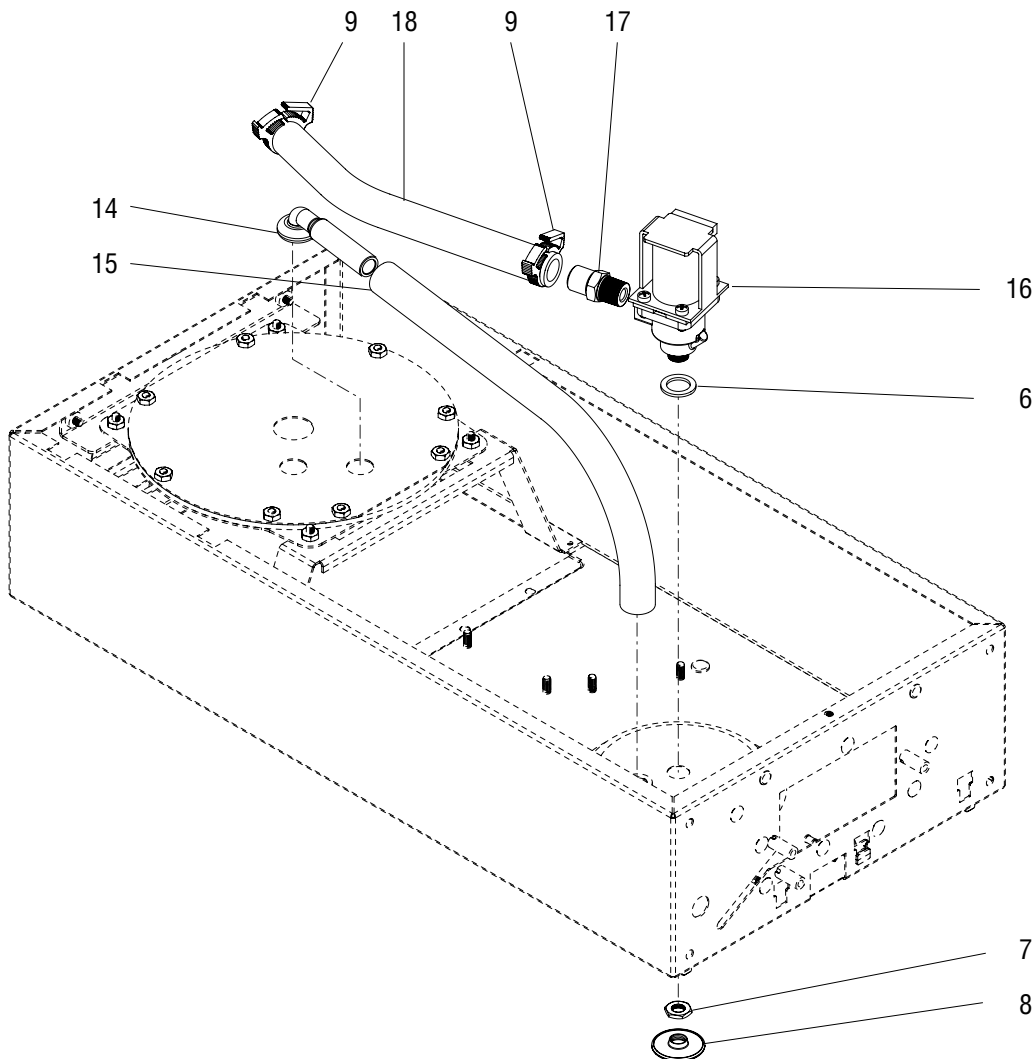
## ITCB ITCB-DV



EARLY MODELS



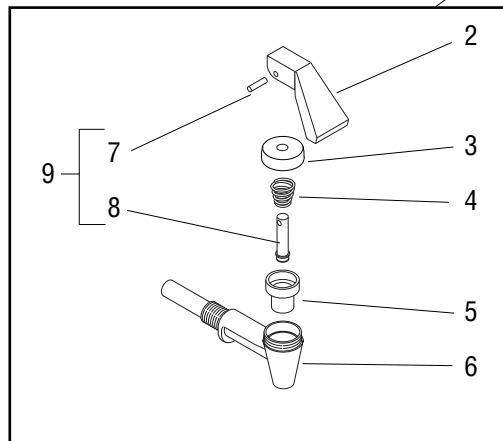
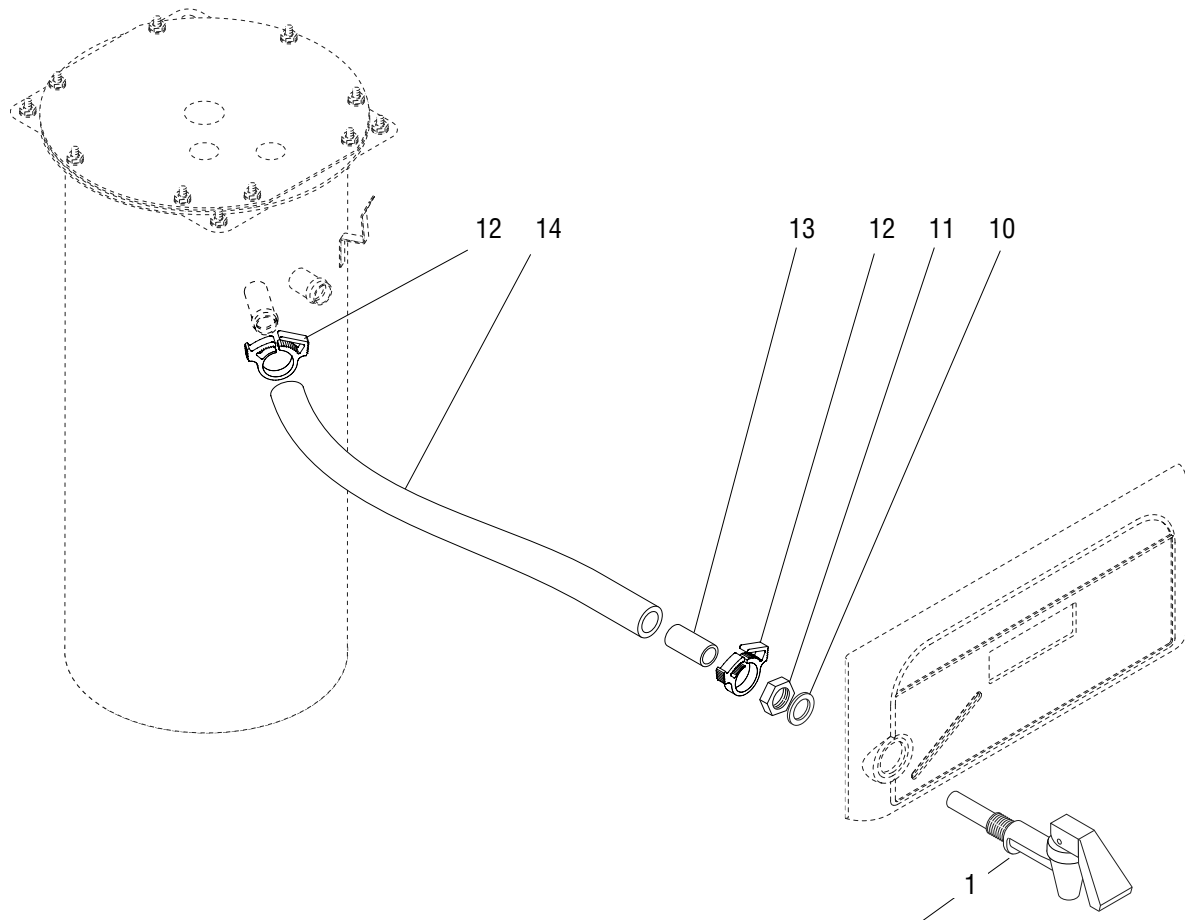
REPAIR KIT



P2889

## DISPENSE VALVE & SPRAYHEAD

ITEM	PART NO.	QTY.	DESCRIPTION
1	27370.0000	1	Valve, Dispense (Models ITCB-DV)
	27370.0001	1	Valve, Dispense (Models ITCBB, 200V)
	27370.0002	1	Valve, Dispense (Models ITCBA, 230V)
	00970.0000	2	Nut, KEPS #8-32
2		1	Tube .50" ID x 6.50" (Order item 12)
3		1	Tube .375" ID x 1.60" (Order item 11)
4	12422.0001	2	Clamp, SNP-10
5	39149.0003	1	Fitting, Sprayhead
6	00943.0000	1	Gasket, Sprayhead Fitting
7	01075.0000	1	Nut, Hex .438"-20
8	01082.0000	1	Sprayhead, 6 Hole
	01082.0003	1	Sprayhead, 7 Hole
9	12422.0009	1-2	Clamp, SNP-14 (at Tank)
10	12422.0005	1	Clamp, SNP-12 (at Valve)
11	41499.1002	1	Dispense Tube Kit, Solenoid to Sprayhead, (Includes clamps)
12	41499.1006	1	Dispense Tube Kit, Tank to Solenoid, (Includes clamps)
13	11517.0008	1	Repair Kit, Dispense Valve (Includes Plunger, Spring and Diaphragm)
14	38969.0001	1	Fitting, 90° Silicone
15	32591.1001	1	Tube .50" ID x 12.0"
16	26846.0000	1	Valve, Dispense (120V)
	26846.0001	1	Valve, Dispense (200V)
	26846.0002	1	Valve, Dispense (240V)
17	34956.0004	1	Fitting
18		1	Tube .50" ID x 7.88" (Order # 15)
19	00943.0001	1	Gasket, Sprayhead Fitting



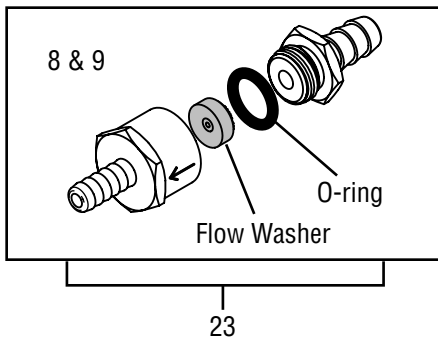
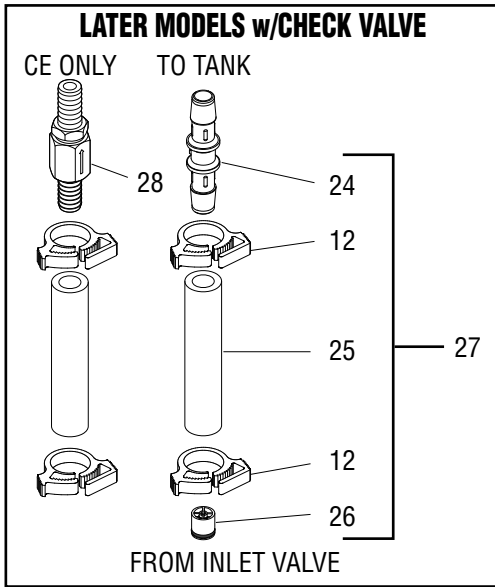
## FAUCET & LINES

ITEM	PART NO.	QTY.	DESCRIPTION
1	29075.0000	1	Faucet Assy (Includes items 2 thru 8)
2	02861.0003	1	Handle, Red w/Warning
3	02854.0000	1	Bonnet
4	02595.0000	1	Spring
5	02766.0000	1	Cup
6		1	Body (Order item 1)
7	02858.0000	1	Pin, Spring
8	13054.0000	1	Stem
9	02594.0000	1	Faucet Stem w/Pin (Includes items 7 and 8)
10	01544.0000	1	Washer, .50" ID x .75" OD
11	29264.0000	1	Nut
12	12422.0009	2	Clamp, SNP-14
13		1	Tube, Silicone .375" ID X 1.2" LG (Order item 15)
14		1	Tube .50" ID x 14.0" (Order item 15)
15	41499.1005	1	Tube kit, Faucet (Includes items 12 - 14)

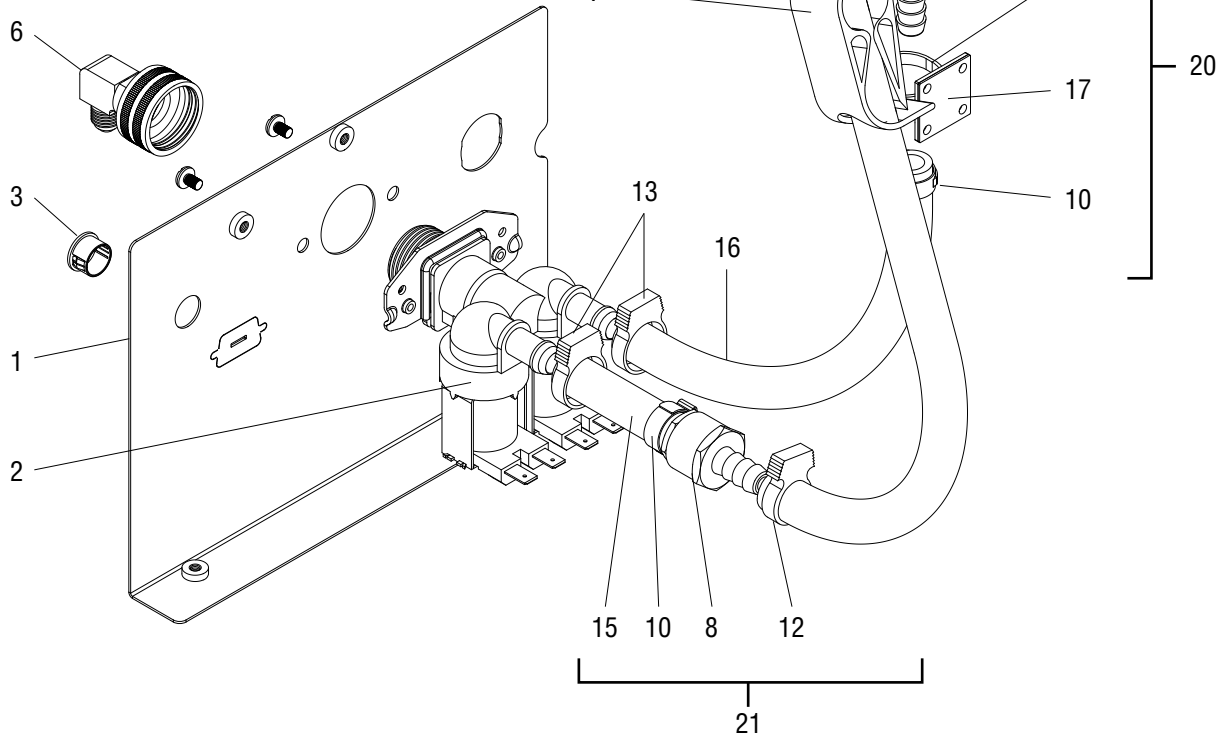


# FILL, DILUTION & DRAIN

## ITCB ITCB-DV



**NOTE:** LETTERING ON FLOW WASHER MUST FACE TOWARDS THE INLET



## FILL, DILUTION & DRAIN

ITEM	PART NO.	QTY.	DESCRIPTION
1	36421.0008	1	Bracket, Bulkhead
2	43041.0000	1	Kit, Replacement Solenoid 120VAC
	32283.0000	2	Screw, SST Slotted Panhead M4 X 6mm
	46884.0000	1	Strainer, Inlet
3	00669.0002	1	Plug, Hole-Nyl Blk .50hole Dia
4		1	Tube, Silicone .375 ID X 16.0 LG (29" Trunk)
		1	Tube, Silicone .375 ID X 12.0 LG (25.75" Trunk)
			(Order Item # 30)
5		1	Tube, Silicone .25 ID X 28.0 LG (29" Trunk)
		1	Tube, Silicone .25 ID X 23.0 LG (25.75" Trunk)
			(Order Item # 29)
6	37297.1006	1	Elbow, .25 FLR X .75 Hose THD
7	11630.0001	1	Clamp, Tubing Shut Off
8	41595.1000	1	Flow Assy, Tnplt .50 Gpm .375 Outlet -.375 Inlet
9	41595.1001	1	Flow Assy, Tnplt .50 Gpm .25 Outlet -.375 Inlet
10	21275.0003	2	Clamp, Otiker # 17.0
11	12422.0000	2	Clamp, Hose-Snap SNP-6
12	12422.0001	1	Clamp, Hose-Snap SNP-10
13	12422.0005	2	Clamp, Hose-Snap SNP-12
14	12422.0006	1	Clamp, Hose-Snap SNP-8
15		1	Hose, Flex .375 ID X 3.0 Braid (Order item 31)
16		1	Hose, Flex .375 ID X 8.75 Braid (Order item 31)
17	22749.0000	1	Pad, Mtg 1" Sq-Slfadh Cable Tie (Order item 20)
18		1	Tie, Cable-Nyl Blk 5.6lg .142w (Order item 20)
19	40783.0000	1	Elbow, 1/8-27 Npt To 1/4" Barb (Also included w/dilution nozzle) (Non Sweetener)
	40784.0000	1	Tee, 1/8-27 Npt Hex Hd 1/4" Barb (w/Sweetener)
20	41665.1000	1	Tube Kit, Dilution (Includes tubes, clamp, flow control, pad & tie)
21	41666.1001	1	Tube Kit, Fill (Includes tubes, clamp, flow control)
23	20526.2500	1	Repair Kit, Flow Control (Includes O-ring & flow washer)
24	45313.0000	1	Connector, Union .375x.375
25		1	Tube, Silicone .375" ID x 3.0" (Order Item # 30)
26	36378.0001	1	Check Valve
27	46028.0000	1	Kit, Check Valve
28	40071.0001	1	Check Valve (CE Only)

**The following items are not illustrated**

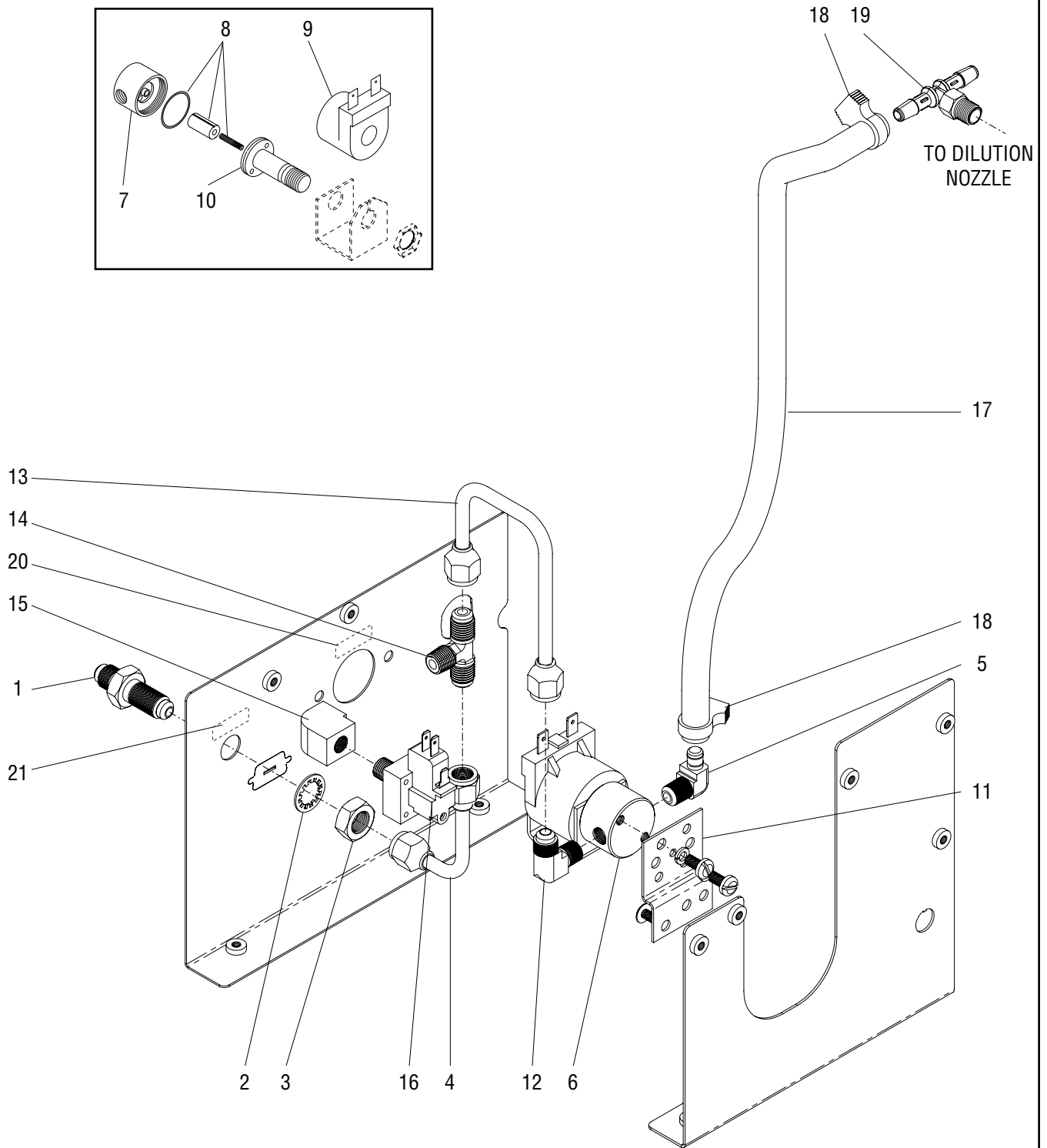
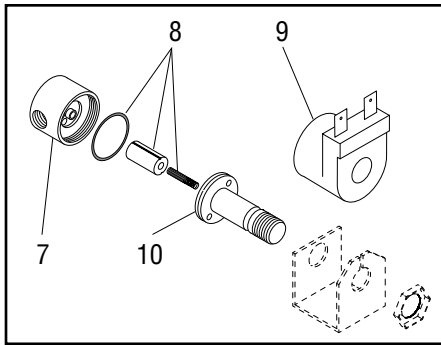
29	11707.1001	-	Tube, Silicone .25" ID x 3 Feet (Use as required)
	11707.1002	-	Tube, Silicone .25" ID x 10 Feet (Use as required)
	11707.1004	-	Tube, Silicone .25" ID x 250 Feet (Use as required)
30	20976.1000	-	Tube, Silicone .375" ID x 1 Foot (Use as required)
	20976.1001	-	Tube, Silicone .375" ID x 3 Feet (Use as required)
	20976.1002	-	Tube, Silicone .375" ID x 10 Feet (Use as required)
	20976.1004	-	Tube, Silicone .375" ID x 250 Feet (Use as required)
31	34325.1000	-	Tube, Silicone .375" ID x 1 Foot (Use as required)
	34325.1001	-	Tube, Silicone .375" ID x 3 Feet (Use as required)
	34325.1002	-	Tube, Silicone .375" ID x 10 Feet (Use as required)

\* Indicates the part number listed is for reference only.



MODELS w/ SWEETENER

**ITCB**  
**ITCB-DV**

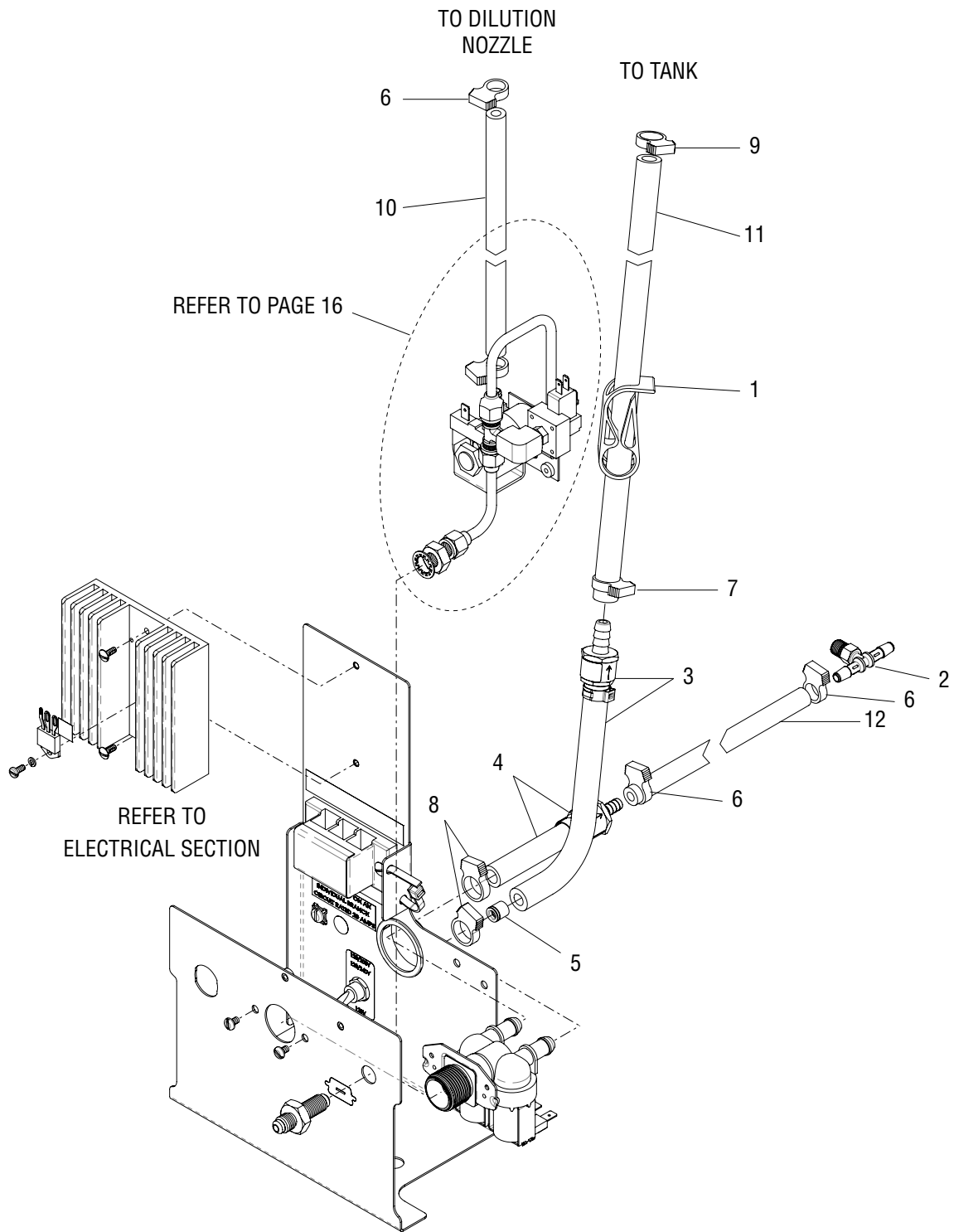


## MODELS w/ SWEETENER

ITEM	PART NO.	QTY.	DESCRIPTION
1	00459.0000	1	Fitting, Bulkhead .250" Flare
2	01532.0000	1	Lockwasher, Internal Tooth .438"
3	00463.0000	1	Nut, Hex - Brass .438"-20
4	00310.0005	1	Tube Assy,
5	00464.0001	1	Elbow, Male-Tnpl.25 Barbx.
6	01085.0000	2	Solenoid Valve, 120V (Includes items 11 - 14)
	01327.0000	4	Screw, Pan Head #10-32 x .375"
	01502.0000	4	Lockwasher, Split #10
7	01079.0000	1	Solenoid Valve Base
8	01111.0000	1	Solenoid Valve Repair Kit (Includes Plunger, Seal and Spring)
9	01101.0000	1	Solenoid Valve Coil, 120V
10	01116.0000	1	Guide
11	07441.0000	2	Bracket
	01315.0000	4	Screw, Truss Head #8-32 x .375"
12	00400.0001	1	Elbow .25" Flare x .125"MPT
13	36459.0001	1	Tube Assy.
14	00431.0001	1	Tee, Male Br-Tn Pl.25flrx
15	00435.0001	1	Elbow, Tin Pld .125npt F
16	38379.1000	1	Switch, Pressure-Low Sweet
17		1	Tube, Silicone .250" I.D. x 16.0" LG (25.75" Trunk)
		1	Tube, Silicone .250" I.D. x 19.0" LG (29" Trunk) (Order Item # 22)
18	12422.0000	2	Clamp, Hose - SNP 6
19	40784.0000	1	Tee, 1/8-27 Npt Hex Hd 1/4" Barb (w/Sweetener)
	40783.0000	1	Elbow, 1/8-27 Npt To 1/4" Barb (Also included w/dilution nozzle) (Non Sweetener)
20	26371.0000	1	Decal, Water Inlet (Models w/Sweetener)
21	26371.0001	1	Decal, Sweetener Inlet (Models w/Sweetener)

**The following items are not illustrated**

22	11707.1001	-	Tube, Silicone .250" I.D. x .50" O.D. x 36" LG
	11707.1002	-	Tube, Silicone .250" I.D. x .50" O.D. x 120" LG
	11707.1004	-	Tube, Silicone .250" I.D. x .50" O.D. x 250' LG
23	40203.0000	1	Tube Assy, Product Empty (Includes 4-17)



## MODELS w/ SWEETENER & TRIAC

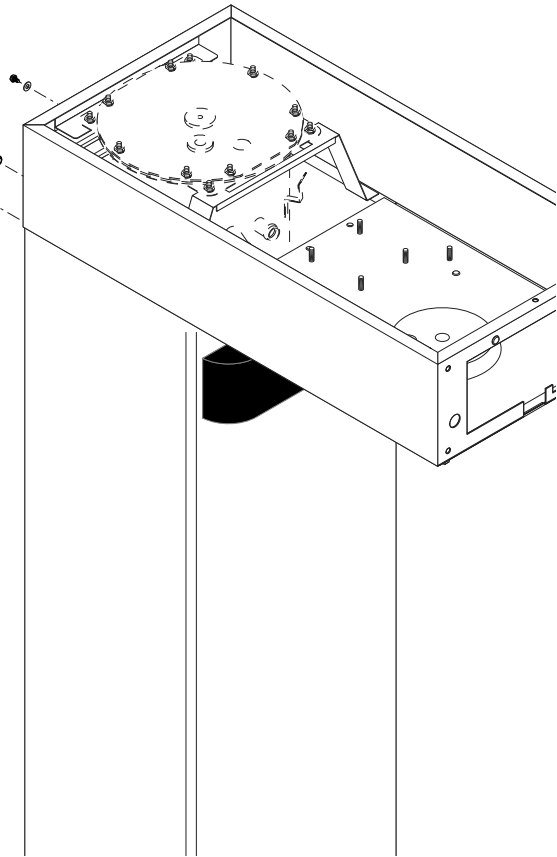
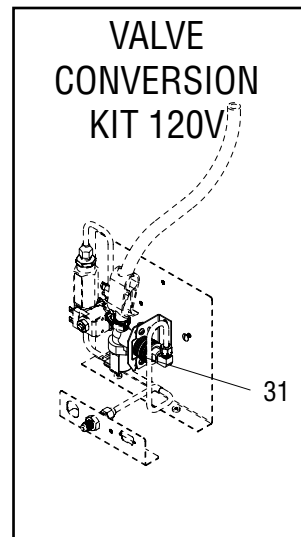
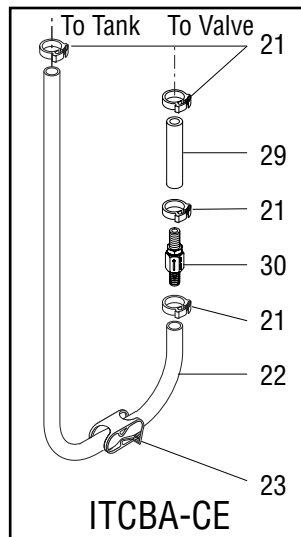
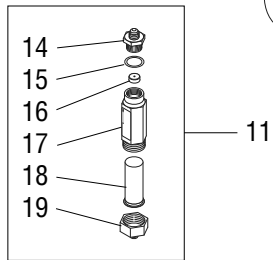
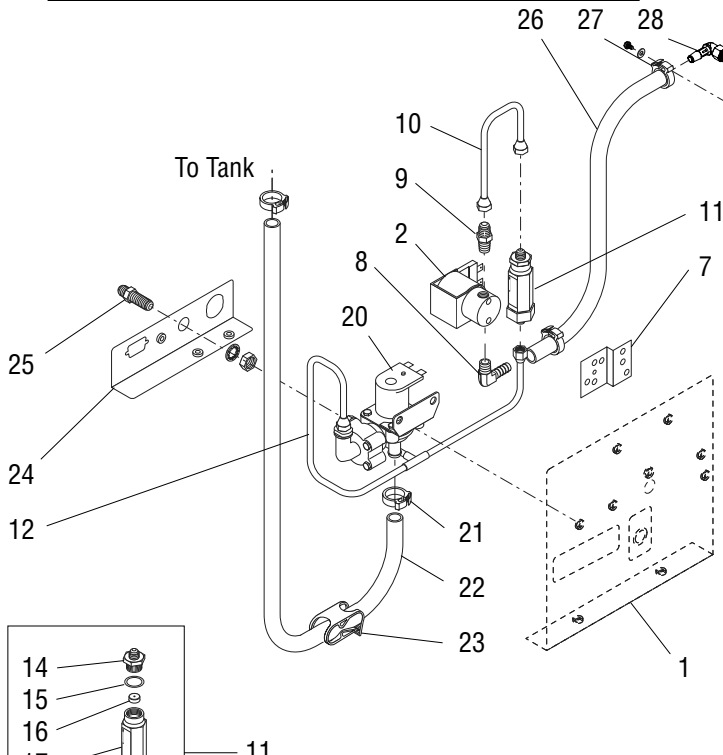
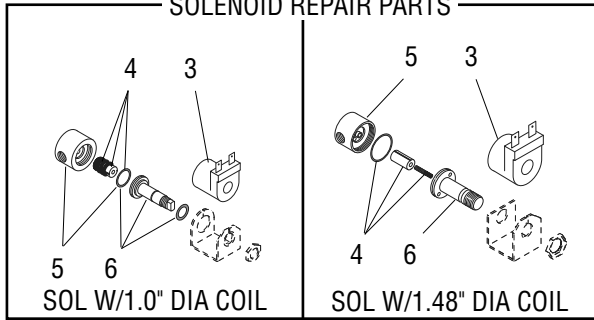
ITEM	PART NO.	QTY.	DESCRIPTION
1	11630.0001	1	Clamp, Shut Off
2	40784.0000	1	Tee, 1/8-27 Npt Hex Hd 1/4"Barb (w/Sweetener)
3	41666.0004	1	Tube Assembly, Flow Control
4	41665.0003	1	Tube Assembly, Flow Control
5	36378.0001	1	Check Valve
6	12422.0000	3	Clamp, Hose - SNP 6
7	12422.0001	1	Clamp, Hose - SNP 10
8	12422.0005	2	Clamp, Hose - SNP 12
9	12422.0006	1	Clamp, Hose - SNP 8
10		1	Tube, Silicone .250" I.D. x 28.0" LG (29" Trunk) (Order #13, Cut as needed)
		1	Tube, Silicone .250" I.D. x 19.0" LG (25" Trunk) (Order #13, Cut as needed)
11		1	Tube, Silicone .250" I.D. x 24.0" LG (ALL) (Order #13, Cut as needed)
12		1	Tube, Silicone .375" I.D. x 20.0" LG (ALL) (Order #14, Cut as needed)

**The following items are not illustrated**

13	11707.1001	-	Tube, Silicone .250" I.D. x .50" O.D. x 36"
	11707.1002	-	Tube, Silicone .250" I.D. x .50" O.D. x 120"
	11707.1004	-	Tube, Silicone .250" I.D. x .50" O.D. x 250'
14	20976.1001	-	Tube, Silicone .375" I.D. x 36"
	20976.1002	-	Tube, Silicone .375" I.D. x 120"
	20976.1004	-	Tube, Silicone .375" I.D. x 250'



SOLENOID REPAIR PARTS



## FILL, DILUTION & TANK DRAIN - EARLY ITCB-DV & ALL ITCBA-CE

ITEM	PART NO.	QTY.	DESCRIPTION	
1		1	Bracket (See ELECTRICAL & OPERATING CONTROLS)	
2	01085.0000	1	Solenoid Valve, 120V (1.48" Dia Coil) (All DV Models)	} Includes items 3 thru 6
	01085.0002	1	Solenoid Valve, 120V (1.0" Dia Coil) (All DV Models)	
	21180.0000	1	Solenoid Valve, 200V (Models ITCBB)	
	01975.0000	1	Solenoid Valve, 230V (Models ITCBA)	
	01327.0000	2	Screw, Pan Head #10-32 x .375"	
	01502.0000	2	Lockwasher, Split #10	
3	01101.0000	1	Solenoid Valve Coil, 120V - 1.48" Dia (Models ITCB-DV & ITCB-C-DV)	
	28480.0000	1	Solenoid Valve Coil, 120V - 1.0" Dia (Models ITCB-DV & ITCB-C-DV)	
	21181.0000	1	Solenoid Valve Coil (Models ITCBB, 200V)	
	01100.0000	1	Solenoid Valve Coil (Models ITCBA, 230V)	
4	01111.0000	1	Solenoid Valve Repair Kit - 1.48" Dia Coil (Includes Plunger, Seal and Spring)	
	01111.0002	1	Solenoid Valve Repair Kit - 1.0" Dia Coil (Includes Plunger, Spring and O-ring)	
5	01079.0000	1	Solenoid Valve Base - 1.48" Dia Coil	
	28479.0000	1	Solenoid Valve Base Kit - 1.0" Dia Coil (Includes O-ring)	
6	01116.0000	1	Sleeve Assy, Solenoid Valve - 1.48" Dia Coil	
	28481.0000	1	Solenoid Guide/O-Ring Kit - 1.0" Dia Coil (Includes Washer & O-ring)	
7	07441.0000	1	Bracket	
	01315.0000	2	Screw, Truss Head #8-32 x .38"	
8	00464.0001	1	Elbow .25" Barb x .125" MPT	
9	00402.0001	1	Connector .25" Flare x .125" MPT	
10	36459.0000	1	Tube	} 13
11	22300.0500	1	Strainer/Flow Control (Includes items 14 - 19)	
12	36464.0001	1	Tube	
13	37064.0001	1	Water Manifold Assembly (Includes items 10 - 12)	
14	01154.0000	1	Flow Control Outlet	
15	01155.0000	1	Gasket	
16	20526.1500	1	Flow Washer and Gasket (Includes item 15)	
17		1	Body (Order item 11)	
18	23721.0000	1	Screen	
19	22249.0000	1	End Cap	
20	28750.0000	1	Valve, Water Inlet 120V (Models ITCB-DV & ITCB-C-DV) Also see #31	
	28750.0003*	1	Valve, Water Inlet 200V (Models ITCBB) No longer available, refer to # 31	
	41579.1003	1	Kit, Retrofit Valve, Inlet 230V (Models ITCBA)	
	39975.0000	1	Kit, Valve Repair (Includes Guide, Spring, Plunger, & Diaphragm)	
	01315.0000	2	Screw, Truss Head #8-32 x .38"	
21	12422.0001	2	Clamp, SNP-10 (2 Additional used for CE)	

(Continued)

\* Indicates the part number listed is for reference only.



## FILL, DILUTION & TANK DRAIN - EARLY ITCB-DV & ALL ITCBA-CE

ITEM	PART NO.	QTY.	DESCRIPTION
22		1	Tube, Silicone .375" ID x 20.0" (ITCB-DV with 25.75" Trunk)
		1	Tube, Silicone .375" ID x 23.5" (ITCB-DV with 29.0" Trunk)
		1	Tube, Silicone .375" ID x 19.0" (ITCBA CE with 25.75" Trunk)
		1	Tube, Silicone .375" ID x 20.0" (ITCBA CE with 29.0" Trunk)
23	11630.0001	1	Clamp
24	36421.1003	1	Bracket
	02308.0000	2	Screw, Pan Head #8-32 x .38"
25	00459.0000	1	Fitting, Bulkhead .25" Flare
	01532.0000	1	Lockwasher, Internal-Tooth .438"
	00463.0000	1	Nut, Hex - Brass .438"-20
26		1	Tube, Silicone .25" x 23.0" (Models with 25.75" Trunk)
		1	Tube, Silicone .25" x 26.0" (Models with 29.0" Trunk)
27	12422.0000	2	Clamp, SNP-6
28	40783.0000	1	Elbow, 1/8-27 Npt To 1/4" Barb
29		1	Tube, Silicone .375" ID x 3.0" (All ITCBA CE)
30	40071.0001	1	Check Valve, SST .375" Barb
31	41579.1001	-	Kit, Solenoid Conversion 120V (Includes Valve, Bracket, Hardware & Instructions)
	41579.1004	-	Valve Assembly Kit 200V (Includes Valve, Bracket, Hardware & Instructions)

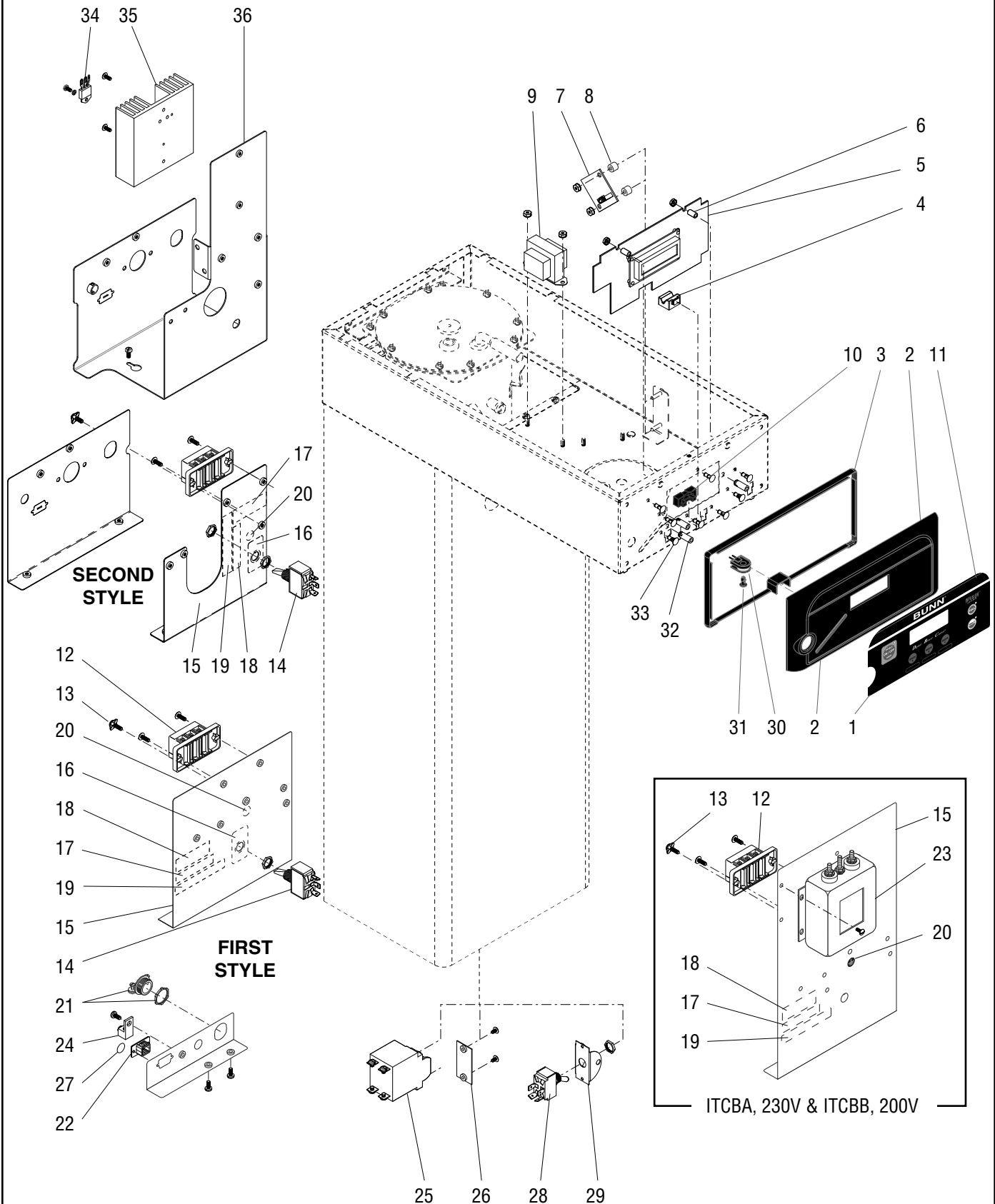
**The following items are not illustrated**

32	11707.1000	-	Tube, Silicone .25" ID x 12.0" (Use as required)
	11707.1001	-	Tube, Silicone .25" ID x 36.0" (Use as required)
	11707.1002	-	Tube, Silicone .25" ID x 120.0" (Use as required)
	11707.1004	-	Tube, Silicone .25" ID x 250'.0" (Use as required)
33	20976.1000	-	Tube, Silicone .375" ID x 12.0" (Use as required)
	20976.1001	-	Tube, Silicone .375" ID x 36.0" (Use as required)
	20976.1002	-	Tube, Silicone .375" ID x 120.0" (Use as required)
	20976.1004	-	Tube, Silicone .375" ID x 250'.0" (Use as required)



# ELECTRICAL & OPERATING CONTROLS

## ITCB ITCB-DV



P2892.50

## ELECTRICAL & OPERATING CONTROLS

ITEM	PART NO.	QTY.	DESCRIPTION
1	36367.0000	1	Membrane Switch
2	36359.1001	1	Bezel Kit (Includes Membrane Switch & Decal)
	36359.1101	1	Bezel Kit (Includes Membrane Switch, Decal, Gasket, & Sensing Coil-Assembled)
	02308.0000	4	Screw, Pan Head #8-32 x .38"
3	36364.0000	1	Gasket
4	36366.0000	1	Mount, Board (2 Used on Early Models)
5	37789.1012	1	Control Board w/Sweetener (RoHS) Early Models w/relay
	36373.1030	1	Control Board (CE Only) (RoHS) Early Models w/relay
	45787.1003	1	Control Board (RoHS) (Late Models w/External Triacs) Replacement CBA Only
	45787.1055	1	Control Board (RoHS) (Late Models w/External Triacs) CE Only
	00973.0000	2	Nut, Keps #6-32
	48443.0000	1	Retrofit Kit CBA (Includes CBA, bracket, triac, heatsink & instructions)
	48443.0033	1	Retrofit Kit CBA (Includes CBA, bracket, triac, heatsink & instructions) CE ONLY
6	01533.0011	2	Spacer
7	38712.1000	1	Memory Circuit Board (RoHS)
	00970.0000	2	Nut, Keps #8-32
8	01533.0002	2	Spacer
9	34307.1001	1	Transformer (Models ITCB-DV & ITCB-C-DV)
	34307.1003	1	Transformer (Models ITCBB, 200V)
	34307.1002	1	Transformer (Models ITCBA, 230V)
	00970.0000	2	Nut, Keps #8-32
10	36587.0000	1	Plug, Bezel
11	36368.0000	1	Decal, Top
12	07038.0000	1	Terminal Block (Models ITCB-DV & ITCB-C-DV)
	01106.0001	1	Terminal Block (Models ITCBB, 200V)
	01106.0003	1	Terminal Block (Models ITCBA, 230V)
	01317.0000	2	Screw, Truss Head #8-32 x .50"
13	01327.0000	1	Screw, Grounding #10-32 x .38" (Early models)
	37804.0000	1	Screw, Grounding #8-32 x .50" (Late models)
14	23522.1001	1	Switch, Toggle (Dual Voltage Brewers only)
15	36420.1000	1	Bracket w/Decals (Incls items 13 & 16-20) (Models ITCB-DV & ITCB-C-DV)
	37482.1001	1	Bracket w/Decals (Incls items 13 & 17-20) (Models ITCBA, 230V & ITCBB, 200V)
	38344.1101	1	Bracket w/Decals (Incls items 13 & 16-20) (Models ITCB-DV Second Style)
	02308.0000	2	Screw, Pan Head #8-32 x .38"
16	34056.0001	1	Decal, Voltage Selection (ICB-DV models only)
17	00985.0000	1	Decal, Individual Circuit Info
18		1	Decal, Use Copper Wire Only (NOT AVAILABLE)
19		1	Decal, Supply Connection (NOT AVAILABLE)
20	00824.0002	1	Decal, Ground
21	01685.0000	1	Connector, Cable (Steel Clamp)
	05746.0000	1	Bushing, Strainrelief (Plastic)
22	36398.0000	1	Hole Plug

} (Early models Only)

(Continued)

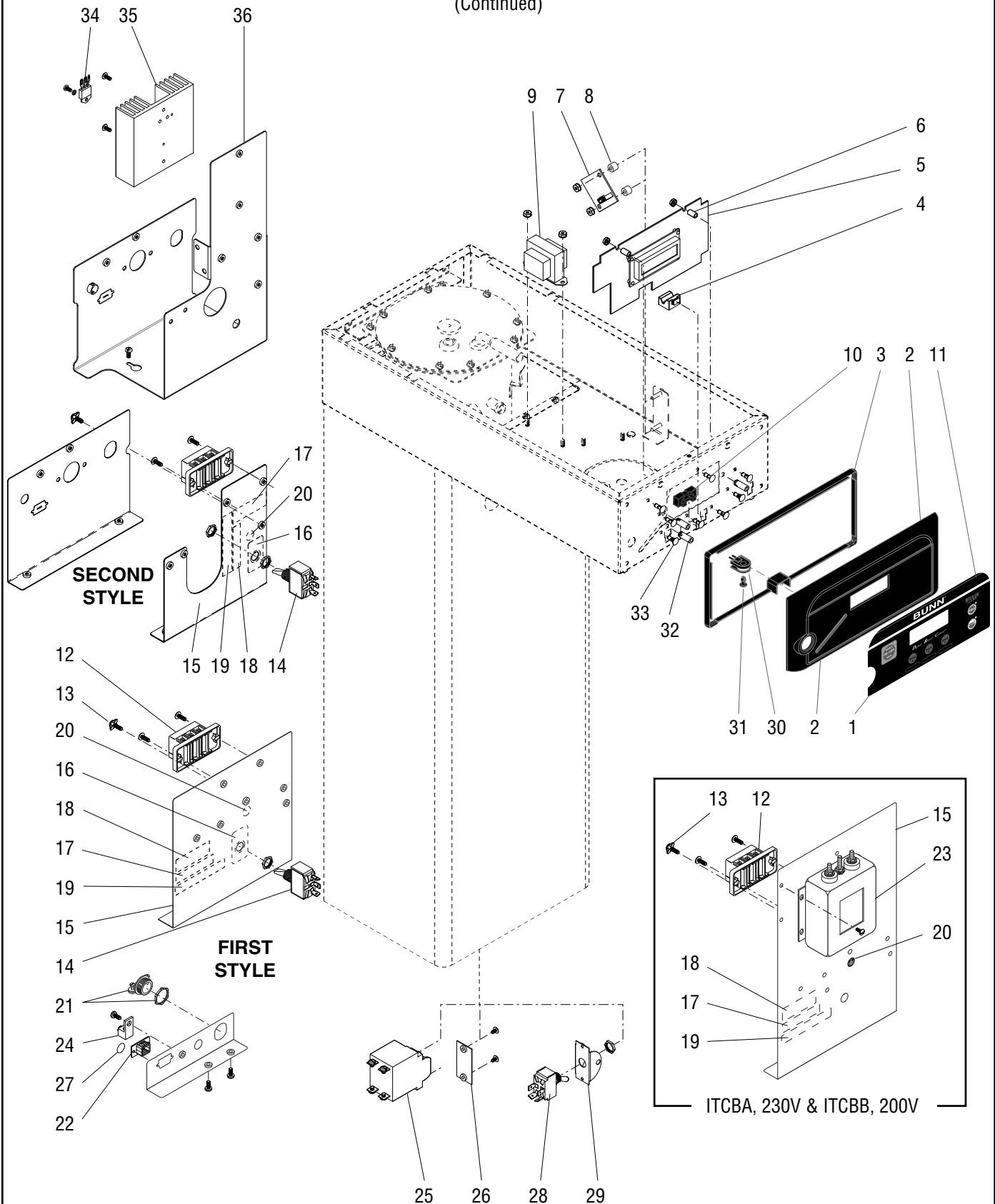
\* Indicates the part number listed is for reference only.



# ELECTRICAL & OPERATING CONTROLS

# ITCB ITCB-DV

(Continued)



P2892.50

## ELECTRICAL & OPERATING CONTROLS

ITEM	PART NO.	QTY.	DESCRIPTION
23	29446.0003	1	EMI Filter (Models ITCBA, 230V) (Threaded studs)
	50159.0000	1	EMI Filter (Models ITCBA, 230V) (Quick connects)
	48971.0002	1	Bracket (for 50159.0000 only)
	01347.0000	4	Screw, Truss Head #6-32 x .375"
24	27705.0000	1	Terminal Lug (Models ITCBA, 230V & ITCBB, 200V)
	02308.0000	1	Screw, Pan Head #8-32 x .375"
25	38894.0001	1	Switch, Rocker 125/250V 50A Double Pole
	01308.0002	2	Screw, Truss Head, Locking #6-32 x .25"
26	38820.0000	1	Cover Plate (Models w/out Switch)
	01308.0002	2	Screw, Truss Head, Locking #6-32 x .25"
27	00824.0001	1	Decal, Equipotentiality (CE Only)
28	40763.0001	1	Switch, Toggle DPST
	23697.0000	1	Facenut
29	25102.0000	1	Bracket, Switch Indicator/Guard
	25102.0001	1	Bracket, Switch I/O (CE Only)
	28098.0000	1	Fastener, Snap in (CE Only)
30	32572.1000	1	Sensing Coil
31	35956.0000	1	Fastener
32	29081.0004	3	Spacer
33	42234.0000	8	Standoff
34	12565.0034	1	Triac
	02328.0003	1	Screw, 6-32 x .312"
	01520.0000	1	Lockwasher
	M2522.1000	-	Heat Sink Compound, 5oz Tube
35	20541.0001	1	Heatsink
	01382.0007	2	Screws, 6-32 x .375"
36	47898.1002	1	Bracket w/Decals (Dual Dilution) (Models w/Off Board Triac)
	47898.1003	1	Bracket w/Decals (Single Valve) (Models w/Off Board Triac)
	48967.1000	1	Bracket w/Decals (CE Models w/Off Board Triac)
	02308.0000	2	Screw, Pan Head #8-32 x .375"

### The following items are not illustrated

34	36674.0000	1	Wiring Harness, Liquid Level Probe
	36674.0001	1	Wiring Harness, Liquid Level Probe with Sweetener Pressure Switch
35	20630.0005	1	Power Cord (120V 15A)
	20630.0019	1	Power Cord (250V 20A IRAM)
36	36675.0000	1	Wiring Harness, Sensing Coil
37	36676.0000	1	Wiring Harness, Memory Board (Early Models)
38	36677.0000	1	Wiring Harness, Main (DV Models only) <b>NO LONGER AVAILABLE</b>
	36677.0002	1	Wiring Harness, Main (Models ITCBA, 230V & ITCBB, 200V)
	36677.0010	1	Wiring Harness, Main (DV Models only) w/Rocker Switch <b>NO LONGER AVAILABLE</b>
	36677.0028	1	Wiring Harness, Main (DV Models only) w/External Triacs
	36677.0026	1	Wiring Harness, Main (200/230V Models only) w/External Triacs
39	06064.0000	1	Decal, Cord Warning
40	34707.0004	1	Wiring Harness, EMI Filter to Terminal block (Models ITCBA, 230V & ITCBB, 200V)
	34707.0009	1	Wiring Harness, EMI Filter to On/Off (CE Models w/External Triacs)
41		1	Wiring Harness, Rocker Sw to Term Blk (13") <b>NO LONGER AVAILABLE</b>
		1	Wiring Harness, Rocker Sw to Term Blk (18") <b>NO LONGER AVAILABLE</b>
	40081.0002	1	Wiring Harness, Toggle Switch to Term Blk (13")
	40081.0003	1	Wiring Harness, Toggle Switch to Term Blk (6")
42	41587.0000	1	Wiring Harness, w/Factory installed Sweetener Solenoid to Dilution Solenoid-CBA

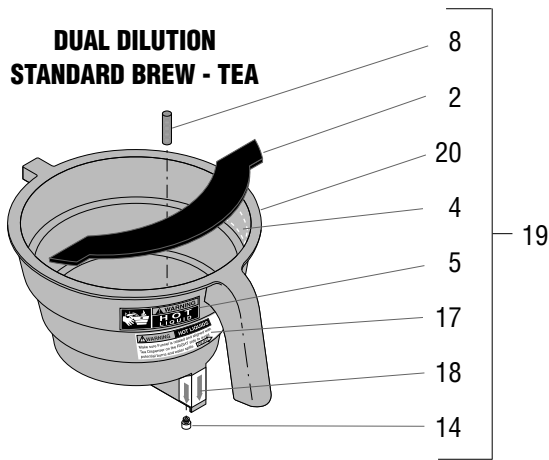
\* Indicates the part number listed is for reference only.



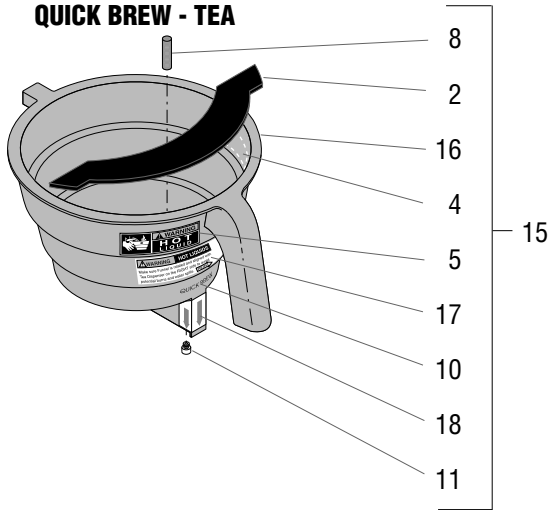
# FUNNELS

# ITCB ITCB-DV

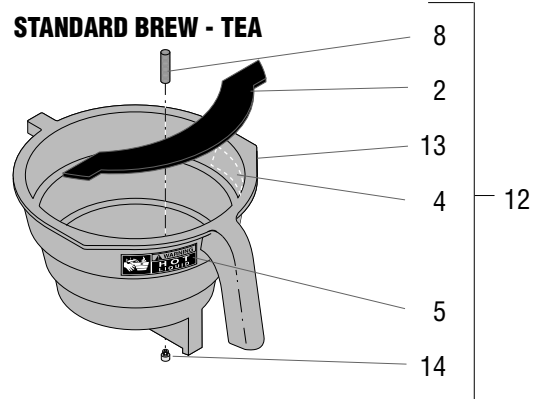
### DUAL DILUTION STANDARD BREW - TEA



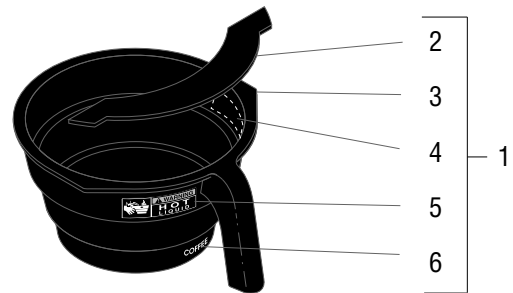
### DUAL DILUTION QUICK BREW - TEA



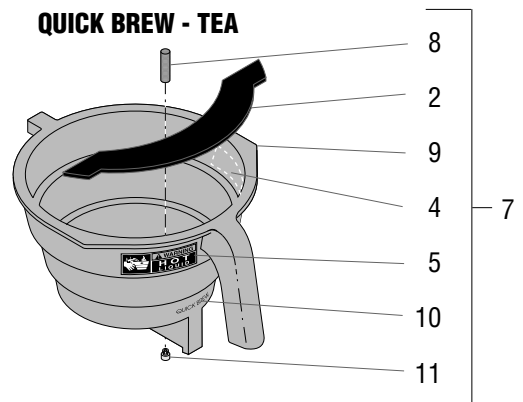
### STANDARD BREW - TEA



### COFFEE



### QUICK BREW - TEA



## FUNNELS

ITEM	PART NO.	QTY.	DESCRIPTION
1	03021.0008	1	Funnel Assembly, Coffee-Black (Includes #2 - 6)
2	32965.0003	1	Splashguard
3		1	Funnel, Coffee-Black (Not Available. Order #1)
4	03408.0000	1	Decal, Caution - REMOVE FUNNEL
5	03409.0000	1	Decal, Caution - HOT LIQUID
6	20269.0000	1	Decal, COFFEE
7	03021.0005	1	Funnel Assembly, <i>Quick</i> Brew - Smoke (Includes #2,4,5,9,10,11)
8	03284.0000	1	Adapter W/Screen, Funnel (See 21)
9		1	Funnel, <i>Quick</i> Brew - Smoke (Not Available. Order #7)
10	03536.0000	1	Decal, QUICK BREW
11	03407.0002	1	Funnel Tip, .114" Dia <i>Quick</i> Brew (See also #21)
12	03021.0004	1	Funnel Assembly, <b>Standard</b> Brew - Smoke (Includes #2,4,5,8,13,14)
13		1	Funnel, <b>Standard</b> Brew - Smoke (Not Available. Order #12)
14	03407.0000	1	Funnel Tip, .082" Dia <b>Standard</b> Brew (See also #21)
15	03021.0014	1	Funnel Assembly, <b>DD</b> <i>Quick</i> Brew (Includes #2,4,5,8,10,11,16-18)
16		1	Funnel, <b>DD</b> <i>Quick</i> Brew - Smoke (Not Available. Order 15)
17	41995.0000	1	Decal, WARNING ROTATE FUNNEL
18	41996.0000	1	Decal, (ARROW) Funnel Tip Locator
19	03021.0013	1	Funnel Assembly, Dual Dilution <b>Standard</b> Brew (Includes #2,4,5,8,14,17,18,20)
20		1	Funnel, <b>DD Standard</b> Brew - Smoke (Not Available. Order 19)

**The following items are not illustrated**

21	01037.0002	-	Funnel Tip & Screen Kit <b>Standard</b> Brew (Includes 8 & 14)
	01037.0003	-	Funnel Tip & Screen Kit <i>Quick</i> Brew (Includes 8 & 11)

## NUMERICAL INDEX

PART NO.	PAGE NO.	PART NO.	PAGE NO.	PART NO.	PAGE NO.	PART NO.	PAGE NO.
00310.0005.....	17	01544.0000.....	13	20976.1000.....	15,23	34074.1015.....	9
00400.0001.....	17	01592.0001.....	7	20976.1001.....	15,23	34074.1017.....	9
00402.0001.....	21	01685.0000.....	25	20976.1002.....	15,23	34118.0001.....	7
00431.0001.....	17	01975.0000.....	21	20976.1004.....	15,19,23	34307.1001.....	25
00435.0001.....	17	02308.0000.....	5,23,25,27	21180.0000.....	21	34307.1002.....	25
00459.0000.....	17,23	02328.0003.....	27	21181.0000.....	21	34307.1003.....	25
00463.0000.....	17,23	02332.0005.....	5,7	21275.0003.....	15	34325.0003.....	15
00464.0001.....	17,21	02594.0000.....	13	22249.0000.....	21	34325.0029.....	15
00656.0000.....	7	02595.0000.....	13	22300.0500.....	21	34325.1000.....	15
00658.0000.....	5	02755.1000.....	9	22749.0000.....	15	34325.1001.....	15
00669.0002.....	15	02755.1002.....	9	23522.1001.....	25	34325.1002.....	15
00824.0001.....	27	02766.0000.....	13	23697.0000.....	27	34707.0004.....	27
00824.0002.....	25	02854.0000.....	13	23721.0000.....	21	34707.0009.....	27
00908.0000.....	9	02858.0000.....	13	24600.0000.....	7	34956.0004.....	11
00942.0000.....	9	02861.0003.....	13	25102.0000.....	27	35956.0000.....	27
00943.0000.....	9,11	03021.0004.....	29	25102.0001.....	27	36353.0038.....	5
00943.0001.....	11	03021.0005.....	29	25137.0001.....	7	36353.1000.....	5
00970.0000.....	11,25	03021.0008.....	29	25137.0002.....	7	36353.1001.....	5
00970.0000.....	7	03021.0013.....	29	25151.0002.....	7	36353.1031.....	5
00973.0000.....	25	03021.0014.....	29	26371.0000.....	17	36353.1032.....	5
00985.0000.....	25	03284.0000.....	29	26371.0001.....	17	36354.0001.....	5
00986.0000.....	7	03407.0000.....	29	26846.0000.....	11	36354.0004.....	5
00991.0000.....	7	03407.0002.....	29	26846.0001.....	11	36354.0005.....	5
01037.0002.....	29	03408.0000.....	29	26846.0002.....	11	36354.0010.....	5
01037.0003.....	29	03409.0000.....	29	27370.0000.....	11	36354.0011.....	5
01075.0000.....	11	03536.0000.....	29	27370.0001.....	11	36355.1006.....	5
01079.0000.....	17,21	04221.0000.....	9	27370.0002.....	11	36355.1010.....	5
01082.0000.....	11	05037.1000.....	9	27705.0000.....	27	36356.1000.....	5
01082.0003.....	11	05746.0000.....	25	28098.0000.....	27	36356.1001.....	5
01085.0000.....	17,21	06064.0000.....	27	28479.0000.....	21	36356.1006.....	5
01085.0002.....	21	07038.0000.....	25	28480.0000.....	21	36356.1008.....	5
01100.0000.....	21	07412.1002.....	9	28481.0000.....	21	36356.1013.....	5
01101.0000.....	17,21	07441.0000.....	17	28735.0000.....	9	36356.1015.....	5
01106.0001.....	25	01315.0000.....	17	28750.0000.....	21	36356.1106.....	5
01106.0003.....	25	07441.0000.....	21	28750.0003.....	21	36356.1107.....	5
01111.0000.....	17,21	11517.0008.....	11	29075.0000.....	13	36356.1108.....	5
01111.0002.....	21	11630.0001.....	15,19,23	29081.0004.....	27	36359.1001.....	25
01116.0000.....	17,21	11707.1000.....	23	29264.0000.....	13	36359.1101.....	25
01154.0000.....	21	11707.1001.....	15,17,19,23	29279.0000.....	9	36360.1001.....	5
01155.0000.....	21	11707.1002.....	15,17,19,23	29329.1000.....	9	36360.1002.....	5
01308.0000.....	5	11707.1004.....	15,17,19,23	29446.0003.....	27	36361.0000.....	7
01308.0002.....	27	12422.0000.....	15,17,19,23	29485.1004.....	9	36362.0000.....	7
01308.0002.....	7,27	12422.0001.....	11,15,19,21	29504.0005.....	7	36362.0001.....	7
01311.0001.....	5	12422.0005.....	11,15,19	29710.0009.....	5	36362.0002.....	7
01315.0000.....	7,21	12422.0006.....	15,19	29710.0010.....	5	36362.0005.....	7
01317.0000.....	25	12422.0009.....	9,11,13	32283.0000.....	15	36364.0000.....	25
01317.0003.....	7	12565.0034.....	27	32572.1000.....	27	36366.0000.....	25
01327.0000.....	17,21,25	13054.0000.....	13	32591.1001.....	11	36367.0000.....	25
01347.0000.....	27	20203.0100.....	9	32965.0003.....	29	36368.0000.....	25
01382.0007.....	27	20269.0000.....	29	33801.0003.....	9	36373.1030.....	25
01501.0000.....	9	20526.1500.....	21	33937.0003.....	9	36378.0001.....	15,19
01502.0000.....	17,21	20526.2500.....	15	33937.0004.....	9	36398.0000.....	25
01520.0000.....	27	20541.0001.....	27	34056.0001.....	25	36412.0000.....	7
01532.0000.....	17,23	20630.0005.....	27	34072.0000.....	7	36420.1000.....	25
01533.0002.....	25	20630.0019.....	27	34074.1013.....	9	36421.0008.....	15
01533.0011.....	25	20942.1000.....	9	34074.1014.....	9	36421.1003.....	23

36459.0000.....	21	40784.0010.....	19
36459.0001.....	17	41193.0001.....	13
36460.0000.....	7	41488.0001.....	7
36460.0001.....	7	41499.1002.....	11
36460.0003.....	7	41499.1005.....	13
36460.0004.....	7	41499.1006.....	11
36460.0008.....	7	41579.1001.....	23
36460.0009.....	7	41579.1003.....	21
36460.0010.....	7	41579.1004.....	23
36460.0011.....	7	41587.0000.....	27
36460.0013.....	7	41595.1000.....	15
36461.0000.....	7	41595.1001.....	15
36462.0000.....	7	41665.0003.....	19
36464.0001.....	21	41665.1000.....	15
36587.0000.....	25	41666.0004.....	19
36674.0000.....	27	41666.1001.....	15
36674.0001.....	27	41995.0000.....	29
36675.0000.....	27	41996.0000.....	29
36676.0000.....	27	42234.0000.....	27
36677.0000.....	27	43041.0000.....	15
36677.0002.....	27	45313.0000.....	15
36677.0010.....	27	45787.1003.....	25
36677.0026.....	27	45787.1055.....	25
36677.0028.....	27	46028.0000.....	15
37064.0001.....	21	46884.0000.....	15
37297.1006.....	15	47898.1002.....	27
37482.1001.....	25	47898.1003.....	27
37789.1012.....	25	48443.0000.....	25
37804.0000.....	25	48967.1000.....	27
37881.0000.....	7	48971.0002.....	27
38114.0000.....	9	50159.0000.....	27
38344.1101.....	25	M2522.1000.....	27
38379.1000.....	17		
38578.0000.....	5		
38580.0016.....	5		
38580.1000.....	5		
38580.1001.....	5		
38580.1012.....	5		
38704.1002.....	5		
38712.1000.....	25		
38820.0000.....	27		
38894.0001.....	27		
38969.0001.....	9,11		
39085.1001.....	9		
39149.0003.....	11		
39175.0000.....	7		
39975.0000.....	21		
40071.0001.....	15,23		
40081.0000.....	27		
40081.0001.....	27		
40081.0002.....	27		
40081.0003.....	27		
40203.0000.....	17		
40763.0001.....	27		
40783.0000.....	15,17,23		
40784.0000.....	15,17		