

ICB SH, Stainless 120/208

32.8" x 23.4" x 11.8"
(83.31cm x 59.44cm x 29.97cm)



- Digital readout displays in English, Spanish, or French ---for easier programming and control--- and can show either 'Standard' or Metric measurements. Digital readout also shows machine status, and targeted advertising messages can be programmed for display.
- Energy-saver mode reduces tank temperature during idle periods
- Exclusive Peak Extraction™ Sprayhead is multi-directional with a 17-hole design to ensure ultimate uniformity of extraction
- USB programming capable
- Brew counter keeps track of how many batches are brewed
- Pre-infusion and pulse brew for maximum flavor extraction. Cold brew lockout & digital temperature control further ensure top-notch brewing.
- New Soft Heat® servers [sold separately] are ergonomic, lighter weight, energy efficient and now offer programmable recipe/batch based holding times and temperatures, alerting staff when freshness has expired or server is empty
- Includes 2 year parts & labor and 3 year electronics warranties
- PROP 65 Warning Decal included in packaging with equipment
- Servers not included unless otherwise noted
- 2-Year parts and labor warranty

Server(s) sold separately

Specifications

Product #: 51100.0109

Water Access: Plumbed

Interface: Wireless

Finish: Stainless/Grey

Faucet: Side

Legs: 40041.0000 Nickel Plated Leg



Additional Features

BrewWISE®

Electrical & Capacity

Volts	Amps	Watts	Cord Attached	Plug Type	8oz cups/hr 236ml cups/hr	Input H ₂ O Temp.	Phase	# Wires plus Ground	Hertz
120/208	16	3300	Yes	N/A	153	60°F (15.5°C)	1	3	60

Plumbing Requirements

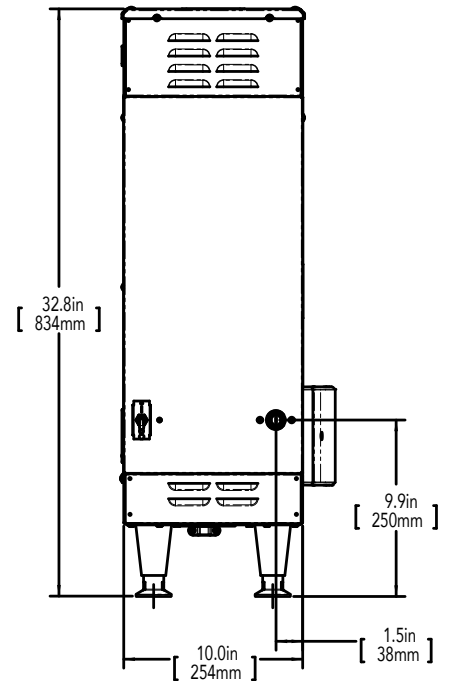
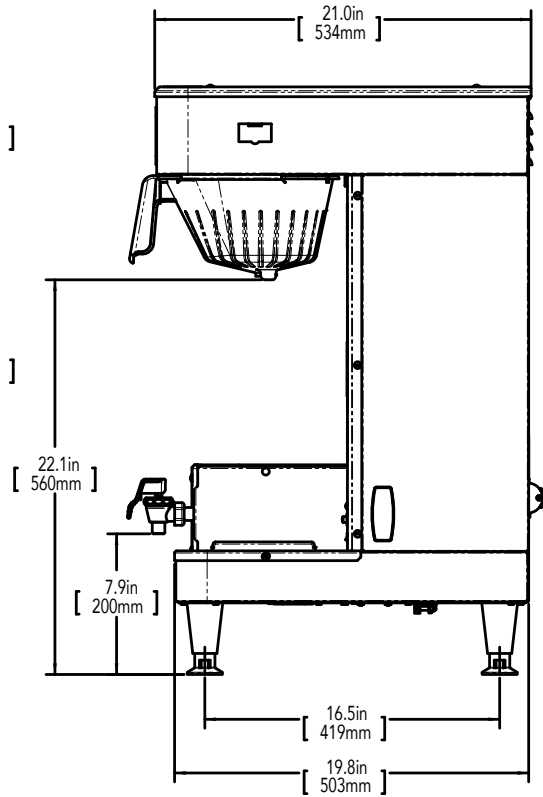
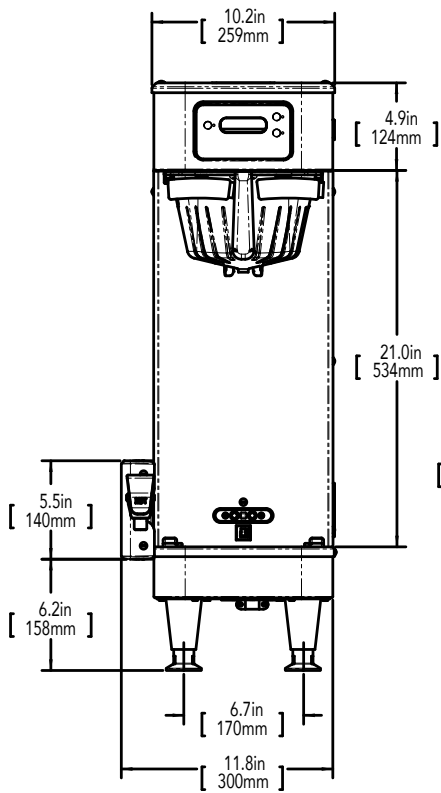
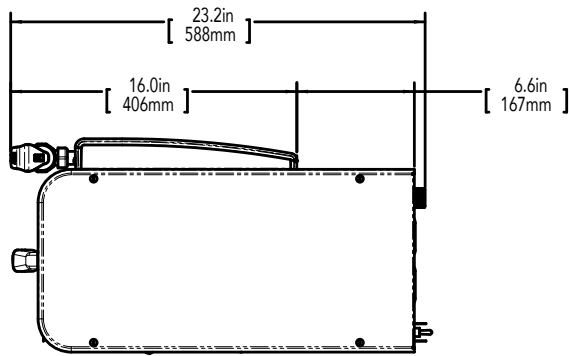
PSI	kPa	Fitting Supplied	Water Flow Required (GPM)
20-90	138-621	Quick Connect	1.00

CAD Drawings

2D	Revit	KLC
●		



BUNN® reserves the right to change specifications and product design without notice. Such revisions do not entitle the buyer to corresponding changes, improvements, additions or replacements for previously purchased equipment. For most current specifications and other info visit bunn.com.



	Unit			Shipping				
	Width	Height	Depth	Width	Height	Depth	Weight	Volume
English	11.8 in.	32.8 in.	23.4 in.	14.6 in.	36.1 in.	28.0 in.	47.500 lbs	7.787 ft ³
Metric	29.97 cm	83.31 cm	59.44 cm	37.1 cm	91.7 cm	71.1 cm	21.546 kgs	0.221 m ³



BUNN® reserves the right to change specifications and product design without notice. Such revisions do not entitle the buyer to corresponding changes, improvements, additions or replacements for previously purchased equipment. For most current specifications and other info visit bunn.com.

Related Products & Accessories: ICB SH



FUNNEL ASSY,
W/INSERTS SMTF

Product #: 32643.0000



QUICK CONNECT
ASSY, W/ADAPTER

Product #: 34397.0001



HOSE ASSY,
.25FLRX.25QC-58.0

Product #: 00327.0002



MYCAFE' MEMBRANE
REPLACEMENT

Product #: 52904.0020



DECAL

Product #: 48332.0009



SH SERVER, 1.5/5.7L INF
SERIES

Product #: 27850.0214



LEG, NICKEL PLATED

Product #: 40041.0000



DECAF SERVER
HANDLE

Product #: 51315.0103



RED HOT WATER
FAUCET HANDLE

Product #: 45946.0001



SPRAYHEAD ASSY
17 HOLE W/ WAVE

Product #: 40670.1025



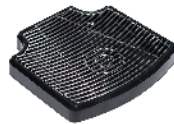
1SH STAND, 120V INF
SERIES

Product #: 27825.0200



2SH STAND, 120V INF
SERIES

Product #: 27875.0200



KIT, DRIP TRAY SINGLE
SH

Product #: 53452.0001



KIT, DRIP TRAY DOUBLE
SH

Product #: 53452.0000