

# 1SH Stand, 120V INF SERIES

Height: 9.3" Width: 10.2" Depth: 11.8"  
(23.6cm) (25.9cm) (30.0cm)

- Remote one server docking station for additional satellite coffee serving
- Docking station provides instant power contact to servers
- Soft Heat® stand supplies power to servers, to provide controlled heat for ideal maintenance of flavor and temperature
- Compatible with round BUNN Infusion Series Soft Heat servers
- Durable all stainless steel construction
- Contemporary styling
- PROP 65 Warning Decal included in packaging with equipment



Agency:



## Specifications

**Product #:** 27825.0200

**Finish:** Stainless

**Legs:** 4" Stainless Steel Legs

## Additional Features

## Electrical & Capacity

Volts*	Amps	Watts	Cord Attached	Plug Type	8oz cups/hr 236ml cups/hr	Input H <sup>2</sup> O Temp.	Phase	# Wires plus Ground	Hertz
120	0.7	85	Yes	NEMA 5-15P	-	60°F (15.5°C)	1	2	60

\*When a BUNN is machine rated 120/208-240V, 120/208V or 120/240V, the higher voltage is the supply voltage needed to power the machine. The 120V is there to supply power to some components rated 120V in the machine, but it is not the supply voltage and would not power the machine if the machine is marked with the before mentioned ratings.

## Plumbing Requirements

PSI	kPa	Fitting Supplied	Water Flow Required (GPM)
-	-	-	-

## CAD Drawings

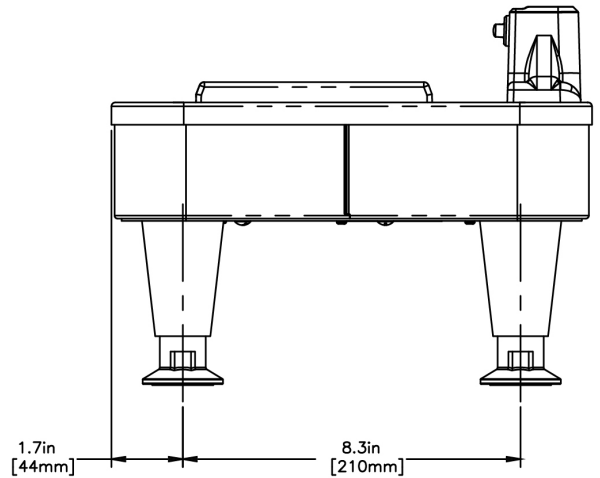
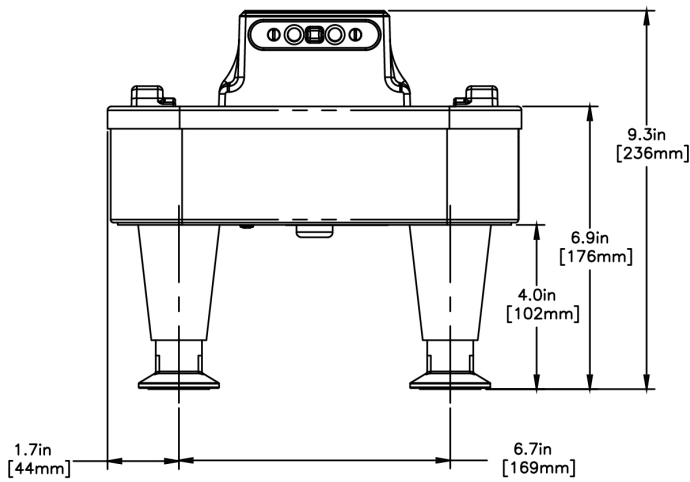
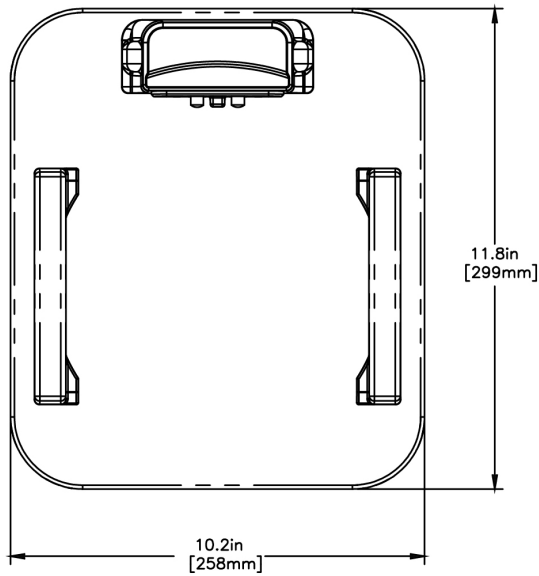
2D	Revit	KLC
●		

**WARNING:** This product can expose you to chemicals including Bisphenol A (BPA), which is known to the State of California to cause birth defects or other reproductive harm. For more information go to [www.P65Warnings.ca.gov](http://www.P65Warnings.ca.gov)



BUNN® reserves the right to change specifications and product design without notice. Such revisions do not entitle the buyer to corresponding changes, improvements, additions or replacements for previously purchased equipment. For most current specifications and other info visit [bunn.com](http://bunn.com).

Last Updated:  
09/30/2024



	Unit			Shipping				
	Height	Width	Depth	Height	Width	Depth	Weight	Volume
English	9.3 in.	10.2 in.	11.8 in.	11.4 in.	13.0 in.	14.0 in.	17.000 lbs	1.198 ft <sup>3</sup>
Metric	23.6 cm	25.9 cm	30.0 cm	28.9 cm	33.0 cm	35.6 cm	7.711 kgs	0.034 m <sup>3</sup>



BUNN® reserves the right to change specifications and product design without notice. Such revisions do not entitle the buyer to corresponding changes, improvements, additions or replacements for previously purchased equipment. For most current specifications and other info visit [bunn.com](http://bunn.com).

Last Updated:  
09/30/2024

Related Products & Accessories: 1SH Stand, 120V INF SERIES(27825.0200)



SH SERVER, 1.5G/5.7L  
INF SERIES

Product #: 27850.0200



ICB TWIN SH, 120/240V  
SST

Product #: 51200.0100



ICB TWIN SH, 120/240V  
BLK/SST

Product #: 51200.0101



KIT, DRIP TRAY INF  
TWIN SH

Product #: 53452.0000



KIT, DRIP TRAY SINGLE  
SH

Product #: 53452.0001



BUNN® reserves the right to change specifications and product design without notice. Such revisions do not entitle the buyer to corresponding changes, improvements, additions or replacements for previously purchased equipment. For most current specifications and other info visit [bunn.com](http://bunn.com).

Last Updated:  
09/30/2024

## Serving & Holding Options: 1SH Stand, 120V INF SERIES(27825.0200)

\*Serving and Holding selections are currently unavailable. Please contact your sales representative to find out more information.\*



BUNN® reserves the right to change specifications and product design without notice. Such revisions do not entitle the buyer to corresponding changes, improvements, additions or replacements for previously purchased equipment. For most current specifications and other info visit [bunn.com](http://bunn.com).

Last Updated:  
09/30/2024