



5 Gallon Portion Control Dual Voltage Hot Water Dispenser

Features



5 Gallon Portion Control Hot Water Dispenser

- Locate hot water at preparation site to increase speed, safety and efficiency of kitchen staff
- Prepare large amounts of oatmeal and many more foods
- Dispenses hot water in three portion sizes
- Precise electronic temperature control (65°F-205°F) (18.3°C-96.1°C) ensures consistent water temperature
- Three programmable volume settings and one push and hold continuous dispense button
- Front of machine volume programming
- 1st button set at 5 oz.
- Two year parts and labor warranty

H5E-DV PC

Shown with Optional H5E Shelf Kit

(shelf kit and drip tray sold separately)

Dimensions: 28.4" H x 7" W x 17.4D

(72.1cm H x 17.8cm W x 44.2cm D)

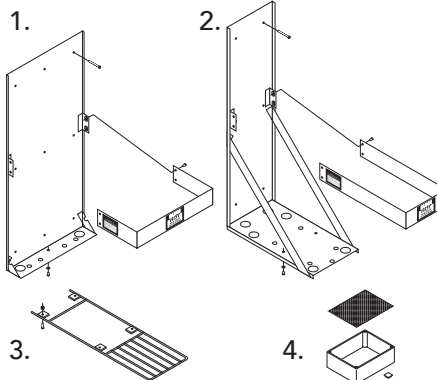
Related Products

Easy Clear® EQHP-10L
Product No. : 39000.0001

Easy Clear® EQHP-25L
Product No. : 39000.0002



H5E Shelf Kit
Product No. : 02497.1001



Quick Connect Assembly
Product No. : 34397.0001

1. Wall Mount Bracket (side)
Product No. : 12542.0000
Dimensions: 30" H x 13 1/2" W x 4 1/2" D
76.2 cm H x 34.29 cm W x 11.43 cm D

2. Wall Mount Bracket (front)
Product No. : 13125.0001
Dimensions: 30 1/2" H x 8 1/2" W x 15 1/4" D
77.47 cm H x 21.59 cm W x 38.74 cm D

3. Container Holding Shelf
Product No. : 12599.0000
Dimensions: 6 3/4" W x 21" D
17.15 cm W x 53.34 cm D

4. Drip Tray
Product No. : 02497.0001

Model

H5E-DV PC

Agency Listing



Dimensions & Specifications

Model	Product #	Volts	Amps	Tank Heater Watts	Total Watts	°F Settings	Gal./Hr.† cold water input 35°	Gal./Hr.† hot water input 140°	Cubic Ft.	Shipping Weight	Cord Attached
H5E-DV, PC 200°	39100.0006	120	15.4	1800	1850	200°F*	3.7	8.1	4.0 ft ³	35 lbs.	Yes*
		120/208	14.7	4000	3050		7.3	14.7			
		120/240	16.9	4000	4050		7.3	14.7			

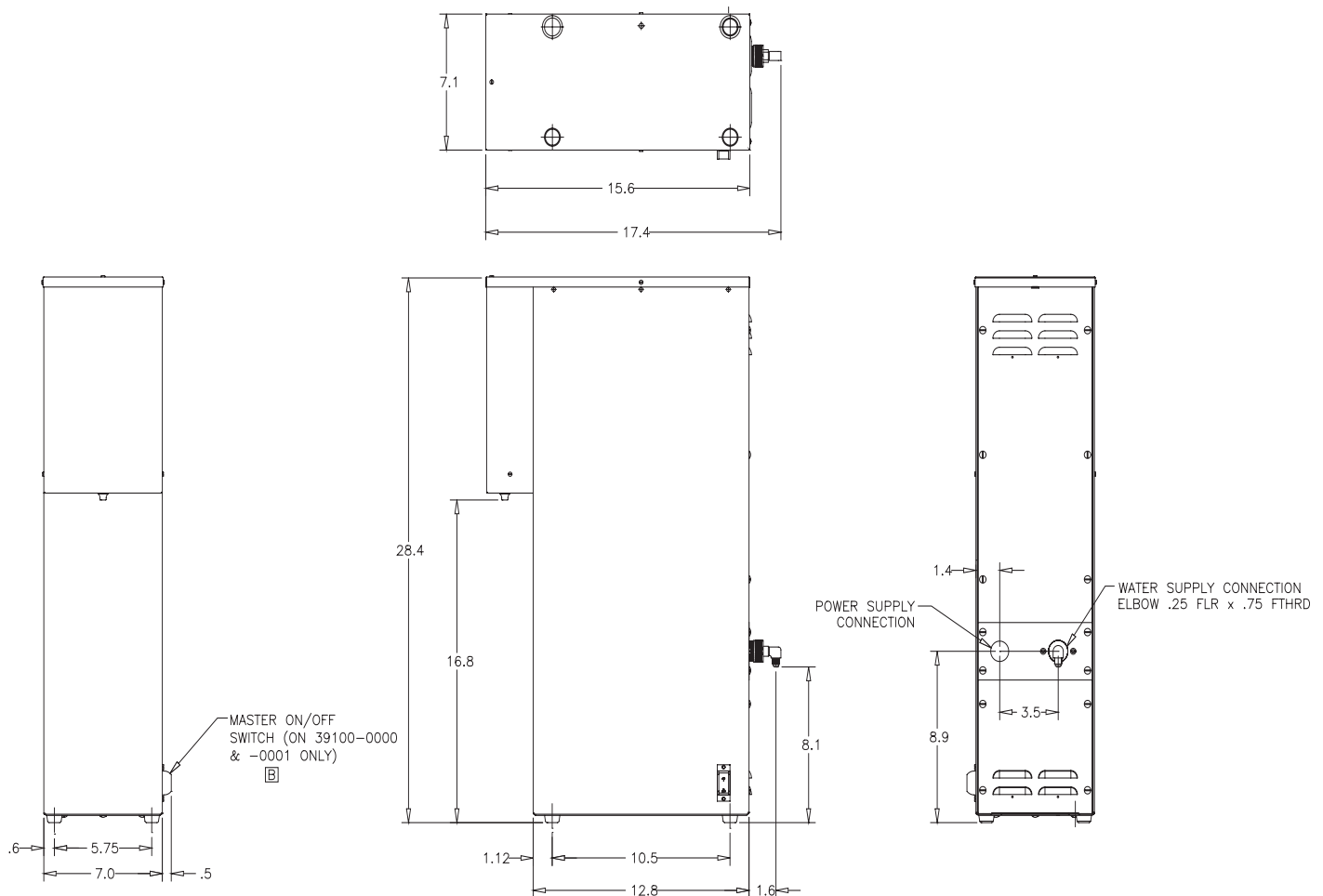
*Power Cord: 12/3, NEMA 5-20P plug, 120V 20 amp

Electrical: 120V, 20A models require 2-wires plus ground service, rated 120V, single-phase. If wired for 120/208V or 120/240V, requires 3 wires plus ground service rated 120/208V or 120/240V, single phase, 60Hz. Supplied strain relief on rear side of machine (H5E models).

Plumbing: 20-90 psi (138-621 kPa). Machine supplied with ¼" OD male flare fitting. Includes Quick Connect Assembly.

* Adjustable 65°F to 205°F.

† Based upon a maximum single dispense of 2 gallons per portion.



Bunn-O-Matic® Corporation - 5020 Ash Grove Drive, Springfield, Illinois 62711 • 800-637-8606 • 217-529-6601 • www.bunn.com

BUNN® practices continuous product research and improvement. We reserve the right to change specifications and product design without notice. Such revisions do not entitle the buyer to corresponding changes, improvements, additions or replacements for previously purchased equipment.

All dimensions shown in inches.

1/16 © Bunn-O-Matic Corporation