



BUNN[®]

Quality Since 1840

AXIOM[®]
BrewWISE[™]



ILLUSTRATED PARTS CATALOG

Designs, materials, weights, specifications, and dimensions for equipment or replacement parts are subject to change without notice.

BUNN-O-MATIC CORPORATION
POST OFFICE BOX 3227
SPRINGFIELD, ILLINOIS 62708-3227
PHONE: (217) 529-6601 FAX: (217) 529-6644

www.bunn.com

BUNN-O-MATIC COMMERCIAL PRODUCT WARRANTY

Bunn-O-Matic Corp. ("BUNN") warrants equipment manufactured by it as follows:

- 1) All equipment other than as specified below: 2 years parts and 2 year labor.
- 2) Electronic circuit and/or control boards: parts and labor for 3 years.
- 3) Compressors on refrigeration equipment: 5 years parts and 1 year labor.
- 4) Grinding burrs on coffee grinding equipment to grind coffee to meet original factory screen sieve analysis: parts and labor for 3 years or 30,000 pounds of coffee, whichever comes first.

These warranty periods run from the date of installation BUNN warrants that the equipment manufactured by it will be commercially free of defects in material and workmanship existing at the time of manufacture and appearing within the applicable warranty period. This warranty does not apply to any equipment, component or part that was not manufactured by BUNN or that, in BUNN's judgment, has been affected by misuse, neglect, alteration, improper installation or operation, improper maintenance or repair, damage or casualty. This warranty is conditioned on the Buyer 1) giving BUNN prompt notice of any claim to be made under this warranty by telephone at (217) 529-6601 or by writing to Post Office Box 3227, Springfield, Illinois 62708-3227; 2) if requested by BUNN, shipping the defective equipment prepaid to an authorized BUNN service location; and 3) receiving prior authorization from BUNN that the defective equipment is under warranty.

THE FOREGOING WARRANTY IS EXCLUSIVE AND IS IN LIEU OF ANY OTHER WARRANTY, WRITTEN OR ORAL, EXPRESS OR IMPLIED, INCLUDING, BUT NOT LIMITED TO, ANY IMPLIED WARRANTY OF EITHER MERCHANTABILITY OR FITNESS FOR A PARTICULAR PURPOSE. The agents, dealers or employees of BUNN are not authorized to make modifications to this warranty or to make additional warranties that are binding on BUNN. Accordingly, statements by such individuals, whether oral or written, do not constitute warranties and should not be relied upon.

If BUNN determines in its sole discretion that the equipment does not conform to the warranty, BUNN, at its exclusive option while the equipment is under warranty, shall either 1) provide at no charge replacement parts and/or labor (during the applicable parts and labor warranty periods specified above) to repair the defective components, provided that this repair is done by a BUNN Authorized Service Representative; or 2) shall replace the equipment or refund the purchase price for the equipment.

THE BUYER'S REMEDY AGAINST BUNN FOR THE BREACH OF ANY OBLIGATION ARISING OUT OF THE SALE OF THIS EQUIPMENT, WHETHER DERIVED FROM WARRANTY OR OTHERWISE, SHALL BE LIMITED, AT BUNN'S SOLE OPTION AS SPECIFIED HEREIN, TO REPAIR, REPLACEMENT OR REFUND.

In no event shall BUNN be liable for any other damage or loss, including, but not limited to, lost profits, lost sales, loss of use of equipment, claims of Buyer's customers, cost of capital, cost of down time, cost of substitute equipment, facilities or services, or any other special, incidental or consequential damages.

392, AutoPOD, AXIOM, BrewLOGIC, BrewMETER, Brew Better Not Bitter, BrewWISE, BrewWIZARD, BUNN Espresso, BUNN Family Gourmet, BUNN Gourmet, BUNN Pour-O-Matic, BUNN, BUNN with the stylized red line, BUNNlink, Bunn-OMatic, Bunn-O-Matic, BUNNserve, BUNNSERVE with the stylized wrench design, Cool Froth, DBC, Dr. Brew stylized Dr. design, Dual, Easy Pour, EasyClear, EasyGard, FlavorGard, Gourmet Ice, Gourmet Juice, High Intensity, iMIX, Infusion Series, Intellisteam, My Café, Phase Brew, PowerLogic, Quality Beverage Equipment Worldwide, Respect Earth, Respect Earth with the stylized leaf and coffee cherry design, Safety-Fresh, savemycoffee.com, Scale-Pro, Silver Series, Single, Smart Funnel, Smart Hopper, SmartWAVE, Soft Heat, SplashGard, The Mark of Quality in Beverage Equipment Worldwide, ThermoFresh, Titan, trifecta, Velocity Brew, A Partner You Can Count On, Air Brew, Air Infusion, Beverage Bar Creator, Beverage Profit Calculator, Brew better, not bitter., BUNNSource, Coffee At Its Best, Cyclonic Heating System, Daypart, Digital Brewer Control, Nothing Brews Like a BUNN, Pouring Profits, Signature Series, Tea At Its Best, The Horizontal Red Line, Ultra are either trademarks or registered trademarks of Bunn-O-Matic Corporation.

TABLE OF CONTENTS

HOUSINGS.....	4
TANK AND COMPONENTS	6
DISPENSE VALVE, SPRAYHEAD, & FAUCET	8
FILL SOLENOID VALVE AND PLUMBING	10
WARMER & COIL ASSEMBLIES	12
FUNNEL & CARAFE.....	14
ELECTRICAL AND OPERATING CONTROLS	16
NUMERICAL INDEX	18

Explanation of codes:

- 15** - All components in machine are rated for 120 Volts ac, (15 Amps)
- 20** - All components in machine are rated for 120 Volts ac, (20 Amps)
- 35 (120/240V)** - Tank heater rated for 240 volts ac, all other components rated for 120 volts ac (20 Amps)
- DV** - Dual Voltage. 2 tank heaters with toggle switch
- “SINGLE AXIOM”** - Replaced “SINGLE CDBC” 15” trunk, brew station warmer only, FULL/HALF batch
- A** - All components in machine are rated for 240 volts ac.
- B** - All components are rated for either 100 volts ac, or 200 volts ac.
- CE** - All components are rated for 230 volts ac for use in Europe.
- TWIN** - 2 brewers in 1 chassis.
- APS** - Airpot Server (No warmers)
- TC** - Thermal Carafe (No warmers)
- TS** - Thermal Server (No warmers)

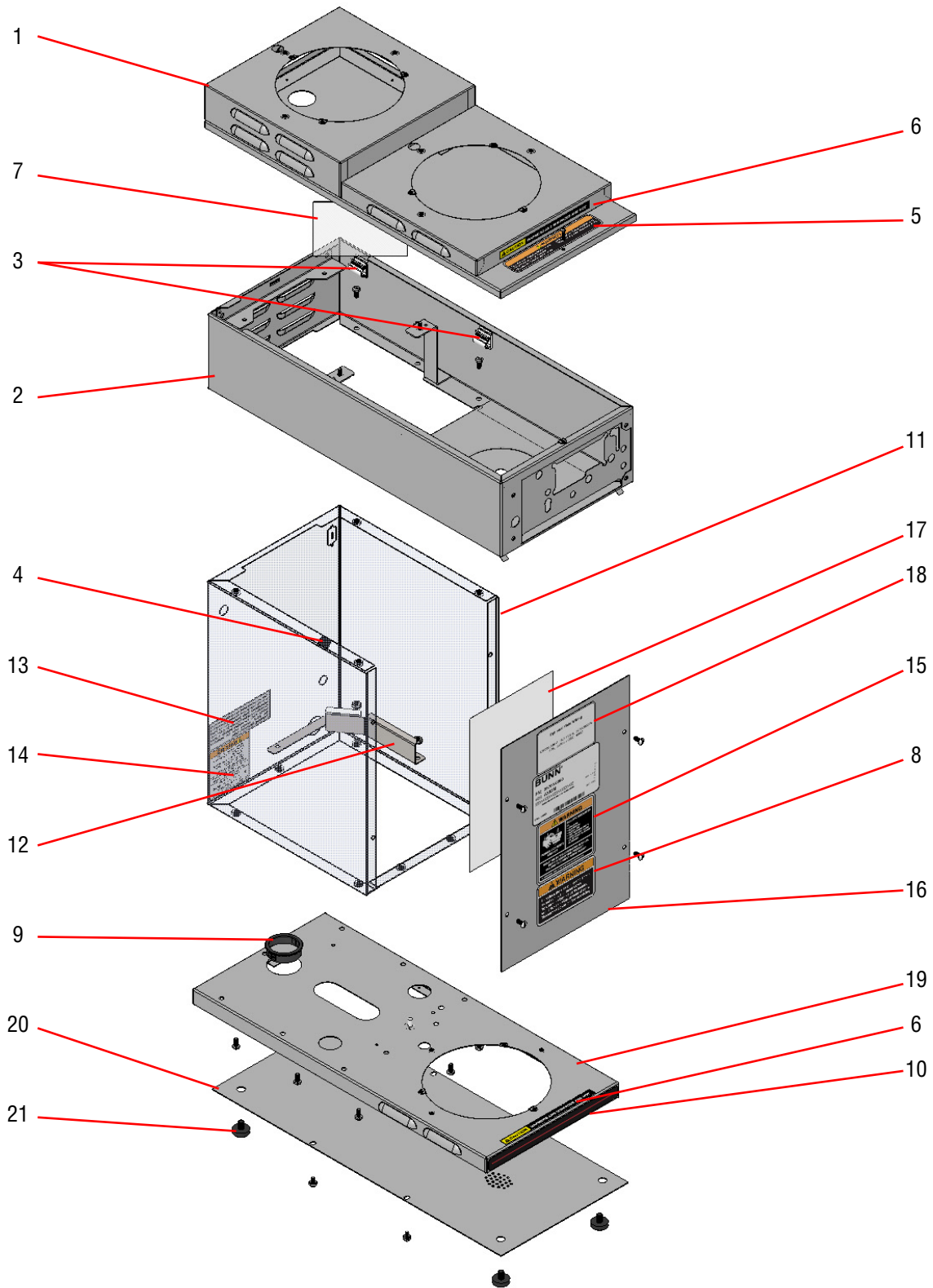
To order coffee filters, water filters, or other accessories, refer to Specification Sheets at www.bunn.com

Fraction	Decimal		Fraction	Decimal
1/16	0.063		9/16	0.563
1/8	0.125		5/8	0.625
3/16	0.188		11/16	0.688
1/4	0.250		3/4	0.750
5/16	0.313		13/16	0.813
3/8	0.375		7/8	0.875
7/16	0.438		15/16	0.938
1/2	0.500		1	1.000



HOUSINGS

AXIOM
BrewWISE®



* Indicates the part number listed is OBSOLETE.

^ Indicates the part number listed is for reference only.

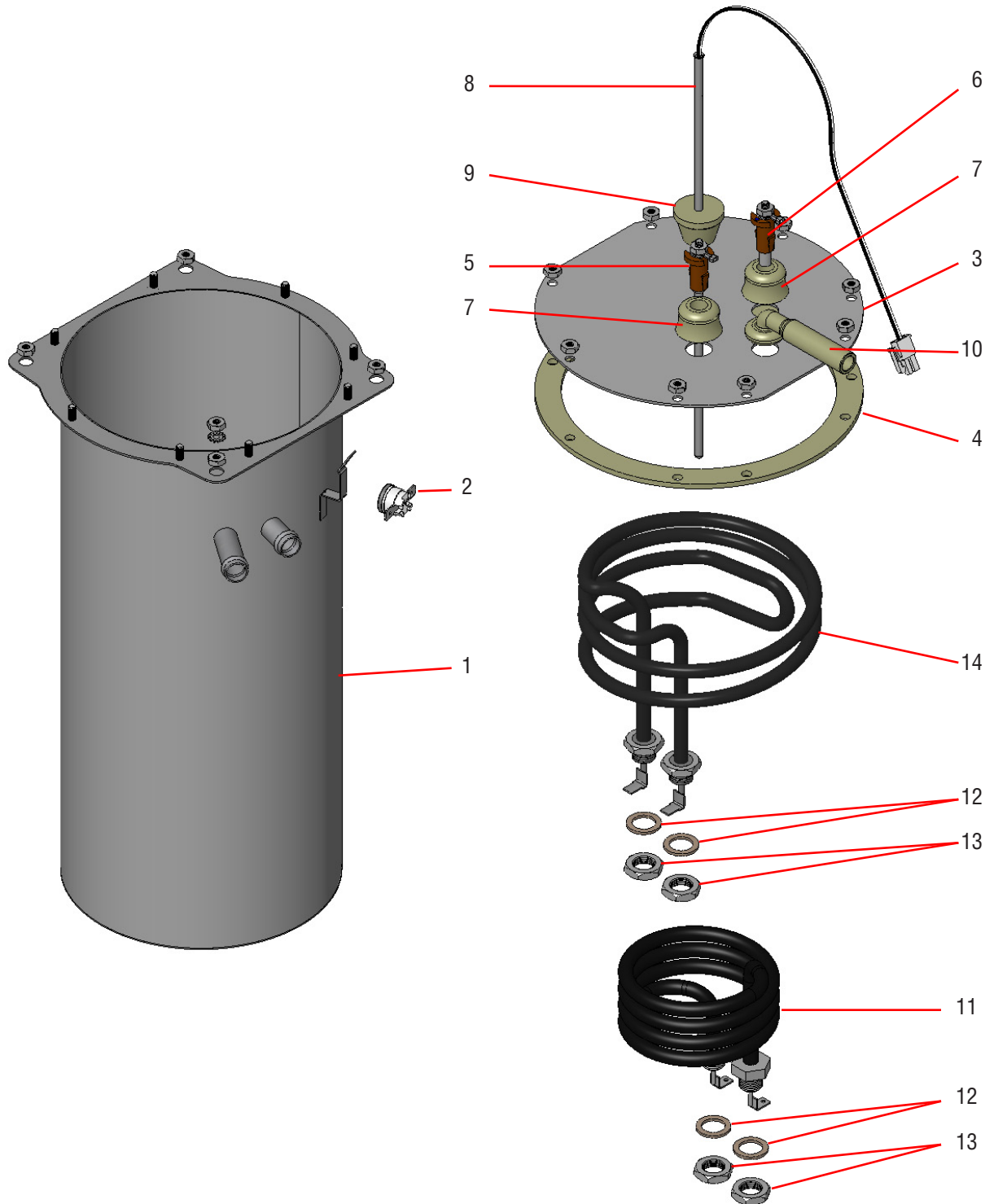
HOUSINGS

ITEM	PART NO.	QTY.	DESCRIPTION
1	40792.1001	1	Kit, 2 Warmer Weldment Top (Includes Items 5-7)
2	43467.1001 02308.0000	1 6	Kit, Hood SST w/cable clips Screw # 8-32 x .375"
3	35260.0001	3	Cable Clips
4	00669.0003	1	Plug, .437" Hole
5	37881.0002	1	Decal, No User Serviceable Parts
6	12364.0000	2	Decal, Caution-Warmers are Hot
7	25151.0001	1	Shield, Level Probe Insulator 4.0" x 4.0"
8	37881.0000	1	Decal, No User Serviceable Parts
9	01593.0000	1	Bushing, Snap 1.5" Dia.
10	22306.0000	1	Decal, Red Decorative Stripe
11	34061.1000 34061.1036 02308.0000 00988.0000	1 1 9 6	Trunk, SST, 11.69" (Includes Decals) Trunk, SST, 11.69" (Includes Decals) CE Models Only Screw SST #8-32 x .38" Fastener, "U" Type #6-32
12	37930.0001 00970.0000	1 2	Channel, Cordset Nut, Keps #8-32
13	00656.0001	1	Decal, Compliance To Plumbing Code
14	00986.0000	1	Decal, Warning-Electrical
15	00658.0000	1	Decal, Warning-Decanter/Funnel
16	11408.1002 01382.0000	1 6	Panel, SST, 11.645" Standard (Includes 8 & 15) Screw, BLK #6-32 x .38"
17	29077.0027 29077.0028	1 1	Schematic, Axiom-BrewWISE 230V CE Schematic, Axiom-BrewWISE 15, 20, 35, 120/208-240V
18	29710.0007	1	Decal, Optional Field Wiring (3 Warmer) (DV Only)
19	24806.1010 24806.1012	1 1	Base, 1 Warmer w/Decals, SST (Includes Items 6 & 10) Base, 1 Warmer w/Decals, SST CE Models Only
20	24805.0000 02332.0002	1 4	Plate, Base 1 Warmer Screw, Hex-Crimptite #6-32 x .38"
21	25137.0000 35712.0000	4 -	Foot Set of 4 feet



TANK AND COMPONENTS

AXIOM[®]
BrewWise™



* Indicates the part number listed is OBSOLETE.

^ Indicates the part number listed is for reference only.

TANK AND COMPONENTS

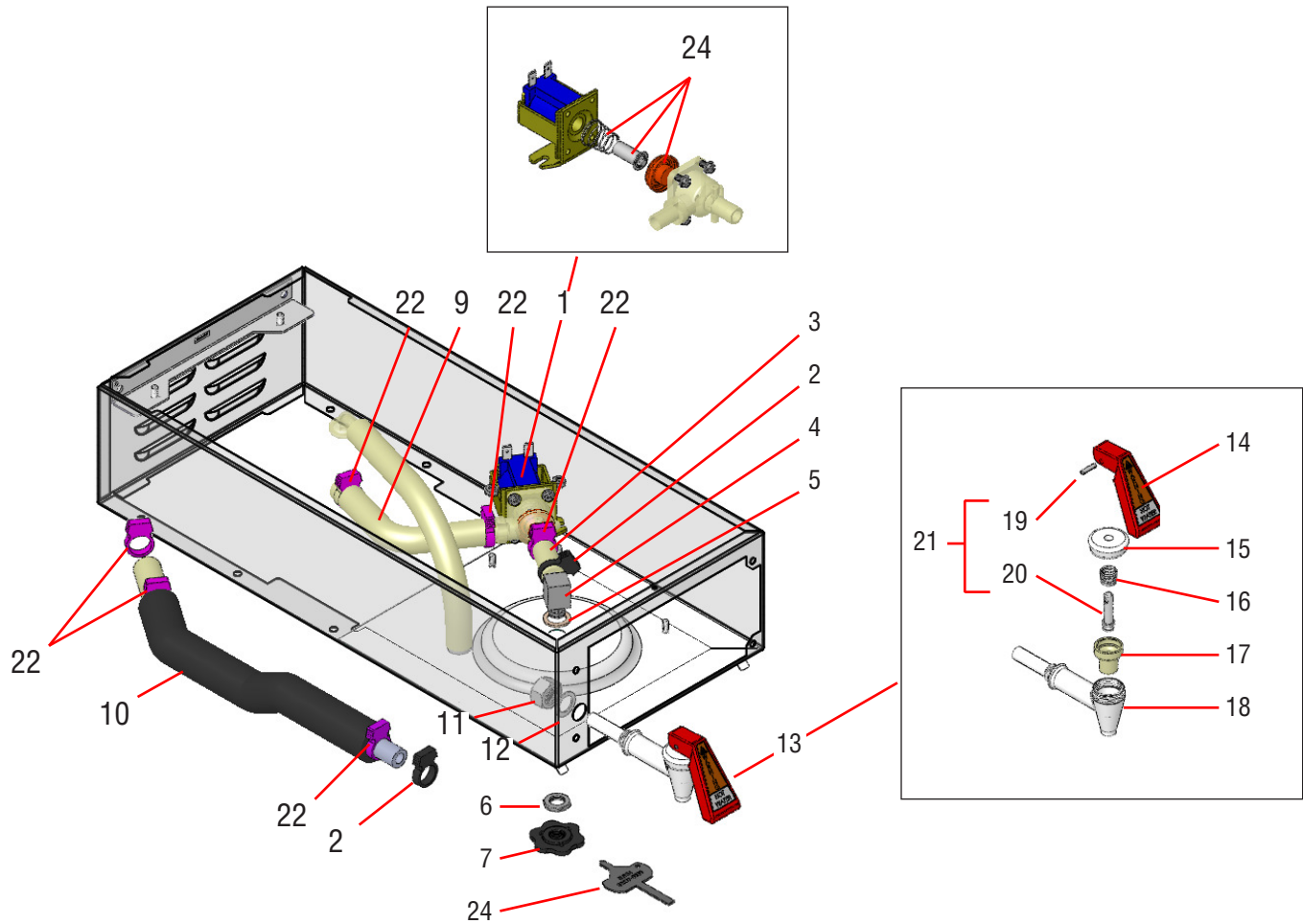
ITEM	PART NO.	QTY.	DESCRIPTION
1	33937.0004	1	Tank, DV (Two Heaters)
	00908.0000	5	Nut, #8-32
	01511.0000	1	Lockwasher, Ext. Tooth #8
2	29329.1000	1	Thermostat, Limit
3	28735.0002	1	Tank Lid, 2 - Probe
	00908.0000	8	Nut #8-32
4	04221.0000	1	Gasket, Tank Lid
5	07412.1002	1	Probe Kit, Liquid Level 1.25"
6	07412.1003	1	Probe Kit, Brew Logic 1.625" (Blue Dot)
7	38114.0000	2	Grommet
8	39085.0001	1	Probe, Temperature Sensor 10.5"
9	33801.0001	1	Grommet, Temperature Sensor
10	38969.0001	1	Fitting, 90° Silicone
11	02755.1000	1	Tank Heater 1425W, 120V (Includes item 12)
	05037.1000	1	Tank Heater 3500W, 240V (Includes item 12)
	02805.1000	1	Tank Heater 1850W, 240V (Includes item 12) CE Models
12	00943.0000	4	Gasket, Tank Heater
13	00942.0000	4	Nut, Brass .5"-20
14	29485.1001	1	Tank Heater 2268W, 120V (DV Only) (Includes item 12)

The Following Items Are Not Illustrated

15	34074.1020	1	Tank Kit, 3500W, 240V (Includes 1-4, 7, 9, 11-14)
	34074.1032	1	Tank Kit, 1425/2268W, (DV) (Includes 1-4, 7, 9, 11-14)
	34074.1041	1	Tank Kit, 1850W, 240V (CE) (Includes 1-4, 7, 9, 11-14)



DISPENSE VALVE, SPRAYHEAD, & FAUCET



* Indicates the part number listed is OBSOLETE.

^ Indicates the part number listed is for reference only.

DISPENSE VALVE, SPRAYHEAD, & FAUCET

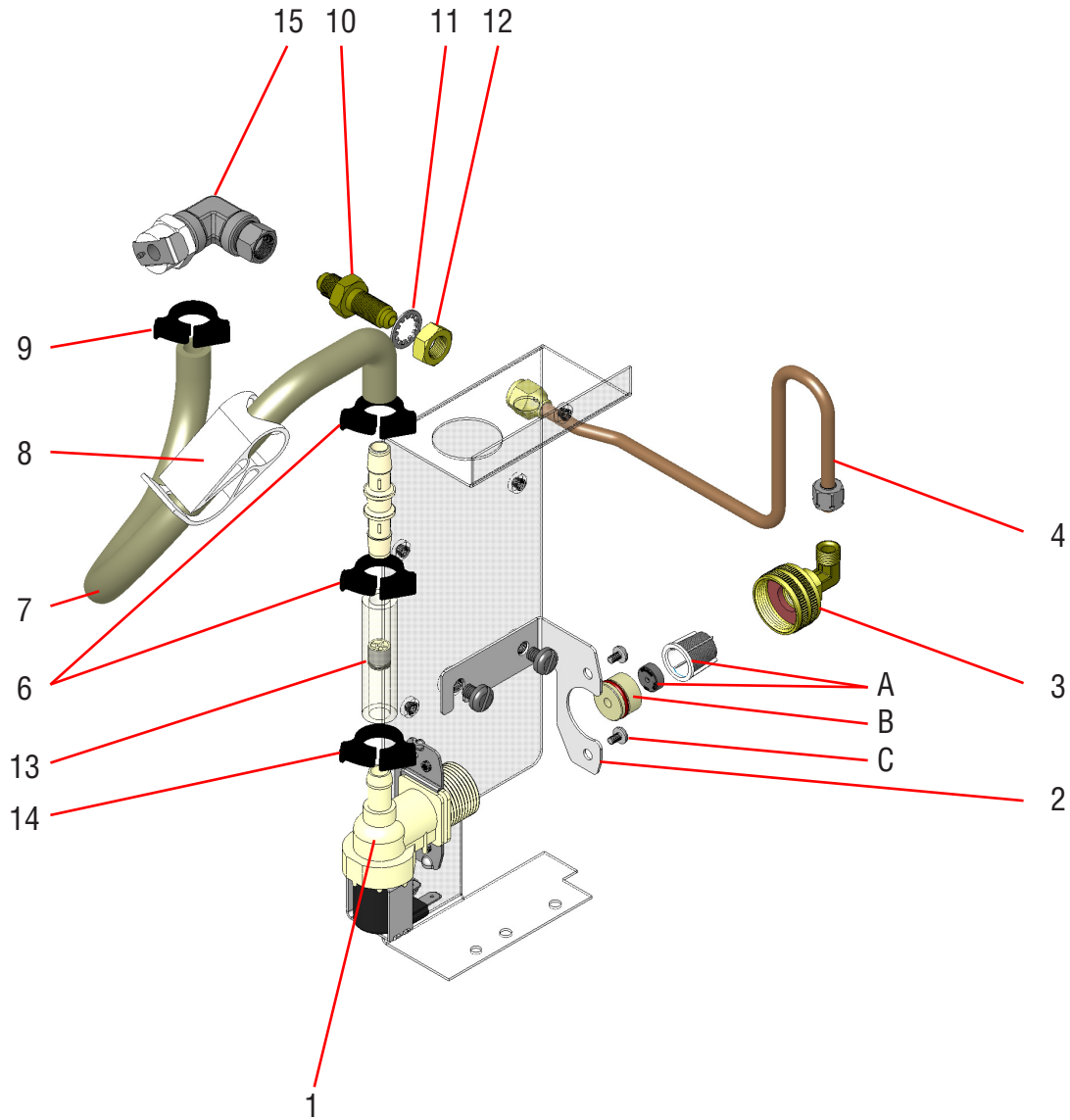
ITEM	PART NO.	QTY.	DESCRIPTION
1	27370.0000	1	Valve, Dispense (120v)
	27370.0002	1	Valve, Dispense (240v) CE
	00970.0000	2	Nut, KEPS #8-32
	11517.0008	-	Repair Kit, Dispense Valve (Includes Plunger, Spring and Diaphragm)
2	12422.0001	2	Clamp, SNP - 10 (2 Additional used in Pour In Models)
3	20976.0008*	1	Tube .375" ID x 1.625" (Order item 26)
4	39149.0001	1	Fitting
5	00943.0000	1	Gasket
6	01075.0000	1	Nut, Hex .438"-20
7	40670.0005	1	Sprayhead, 7 Hole
8	12422.0005	3	Clamp, SNP - 12
9	32591.0032*	1	Tube, Tank To Dispense Valve, .5" ID x .75" x ID 5" (Order item 25)
10	43226.1001	1	Kit, Tube Assy., HW Faucet
11	29264.0000	1	Nut, Hex .5"-20 UNF
12	01544.0000	1	Washer, .5" ID x .75" OD
13	29075.0000	1	Faucet Assembly. (Includes items 14 thru 21)
14	02861.0003	1	Handle, Red
15	02854.0000	1	Bonnet
16	02595.0000	1	Spring
17	02766.0000	1	Cup
18	02856.0005*	1	Faucet Body (Order item 13)
19	02858.0000	1	Pin, Spring
20	13054.0000	1	Stem
21	02594.0000	1	Faucet Stem w/Pin (Includes items 19 and 20)
22	12422.0005	6	Clamp, SNP - 12
23	38227.0000	1	Sprayhead Cleaning Tool
24	11517.0008	-	Repair Kit, Dispense Valve (Includes Plunger, Spring and Diaphragm)
The Following Items Are Not Illustrated			
25	41499.1001	1	Dispense Tube Kit, Tank to Solenoid, All Models (Includes 8, 9, 23)
26	41499.1002	1	Dispense Tube Kit, Solenoid to Sprayhead, All Models (Includes 2 & 3)

* Indicates the part number listed is for reference only. See DESCRIPTION for possible service replacement.



FILL SOLENOID VALVE AND PLUMBING

AXIOM
BrewWISE[®]



* Indicates the part number listed is OBSOLETE.

10 ^ Indicates the part number listed is for reference only.

FILL SOLENOID VALVE AND PLUMBING

ITEM	PART NO.	QTY.	DESCRIPTION
1	42025.0000	1	Kit, Universal Replacement Solenoid, 120V
	42025.0001	1	Kit, Universal Replacement Solenoid, 230V
A	20526.2500	2	Kit, .500GPM Flow Washer/O-Ring
B	40056.0003	1	Insert, Flow Control Housing
C	32283.0000	2	Screw, SST Slotted Panhead M4 X 6mm
2	41580.0000	1	Bracket
	02325.0001	2	Screw .25"-20 x .313"
3	37297.0003	1	Elbow
4	41578.0000	1	Tube Assy, Bulkhead to Solenoid
5	43644.0000	-	Kit, Valve Rebuild
6	12422.0001	2	Clamp, SNP - 10
7	20976.0056*	1	Tube, Tank To Valve, .375"ID x 28.0" (Order # 16)
8	11630.0001	1	Clamp, Shut Off
9	12422.0006	1	Clamp, SNP - 8
10	00459.0000	1	Fitting, Bulkhead 1/4" Flair
11	01532.0000	1	Lockwasher, Int. Tooth .438"
12	00463.0000	1	Nut, Hex .438"-20
13	41716.1004	1	Kit, Check Valve/Tube Assembly (Includes Union, Tube, Check Valve, & Clamps)
14	12422.0005	1	Clamp, SNP - 12
15	34397.0000	1	Fitting, Quick Connect

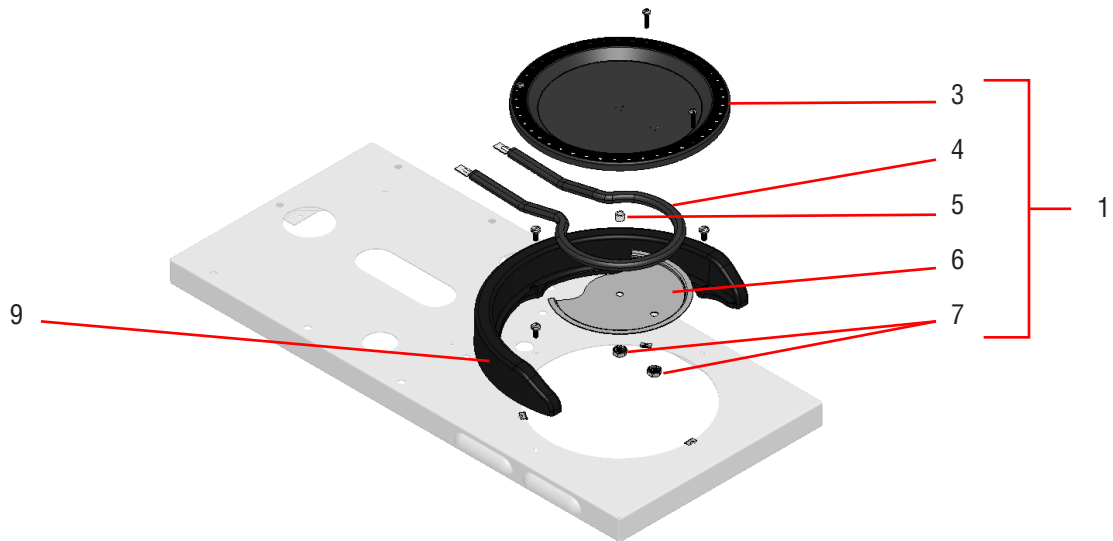
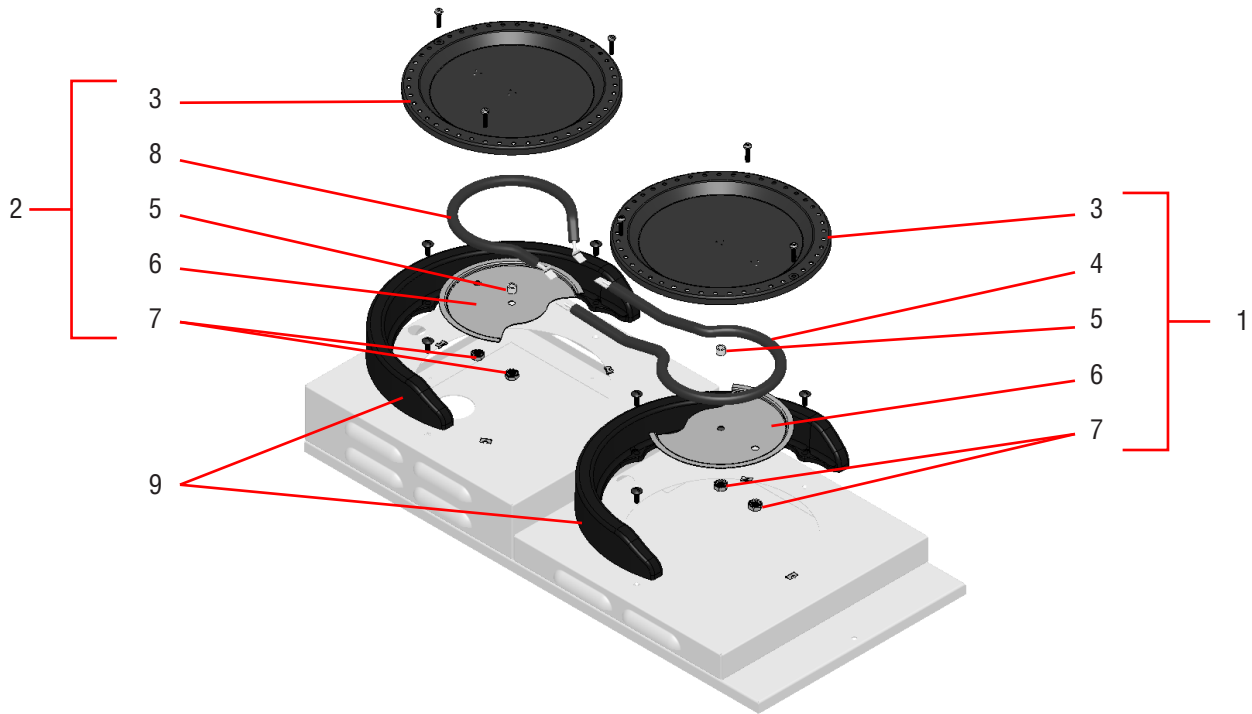
The Following Items Are Not Illustrated

16	20976.1001	-	-	Tube, .375" ID x 3 Feet (Use as required)
	20976.1002	-	-	Tube, .375" ID x 10 Feet (Use as required)
	20976.1004	-	-	Tube, .375" ID x 250 Feet (Use as required)



WARMER & COIL ASSEMBLIES

AXIOM[®]
BrewWISE™



* Indicates the part number listed is OBSOLETE.

^ Indicates the part number listed is for reference only.

WARMER & COIL ASSEMBLIES

ITEM	PART NO.	QTY.	DESCRIPTION
1	11440.0005	2	Warmer Assembly 120V, (Includes items 2-7)
	11440.0008	2	Warmer Assembly 220V, (Includes items 2-7) (CE Models)
	01303.0000	3	Screw, Pan Head - SST #4-40 x .5"
	00916.0000	3	Fastener, J-Type #4-40
2	03652.0000	1	Warmer Assembly 120V, Top & Side Warmers (Includes items 1, & 3 - 6)
	11440.0009	1	Warmer Assembly 220V, Top & Side Warmers (Includes items 1, & 3 - 6)
	01303.0000	3	Screw, Pan Head - SST #4-40 x .5"
	00916.0000	3	Fastener, J-Type #4-40
3	03656.0000	1	Warmer Dish, Blk 45 Hole
4	11442.0000	2	Warmer Element 120V Long Legs
	11438.0000	2	Warmer Element 220V Long Legs (CE Models)
5	13042.0001	1	Spacer
6	05212.0000	1	Plate, Element Retaining
7	00970.0000	2	Nut, Keps #8-32
8	01227.0000	1	Warmer Element 120V Short Legs
	01951.0000	1	Warmer Element 220V Short Legs (CE Models)
9	42964.1000	3	Kit, Coil Assy. RFID
	02328.0000	9	Screw, Pnh Sltd 6-32x.375"



FUNNEL & CARAFE

AXIOM[®]
BrewWISE™

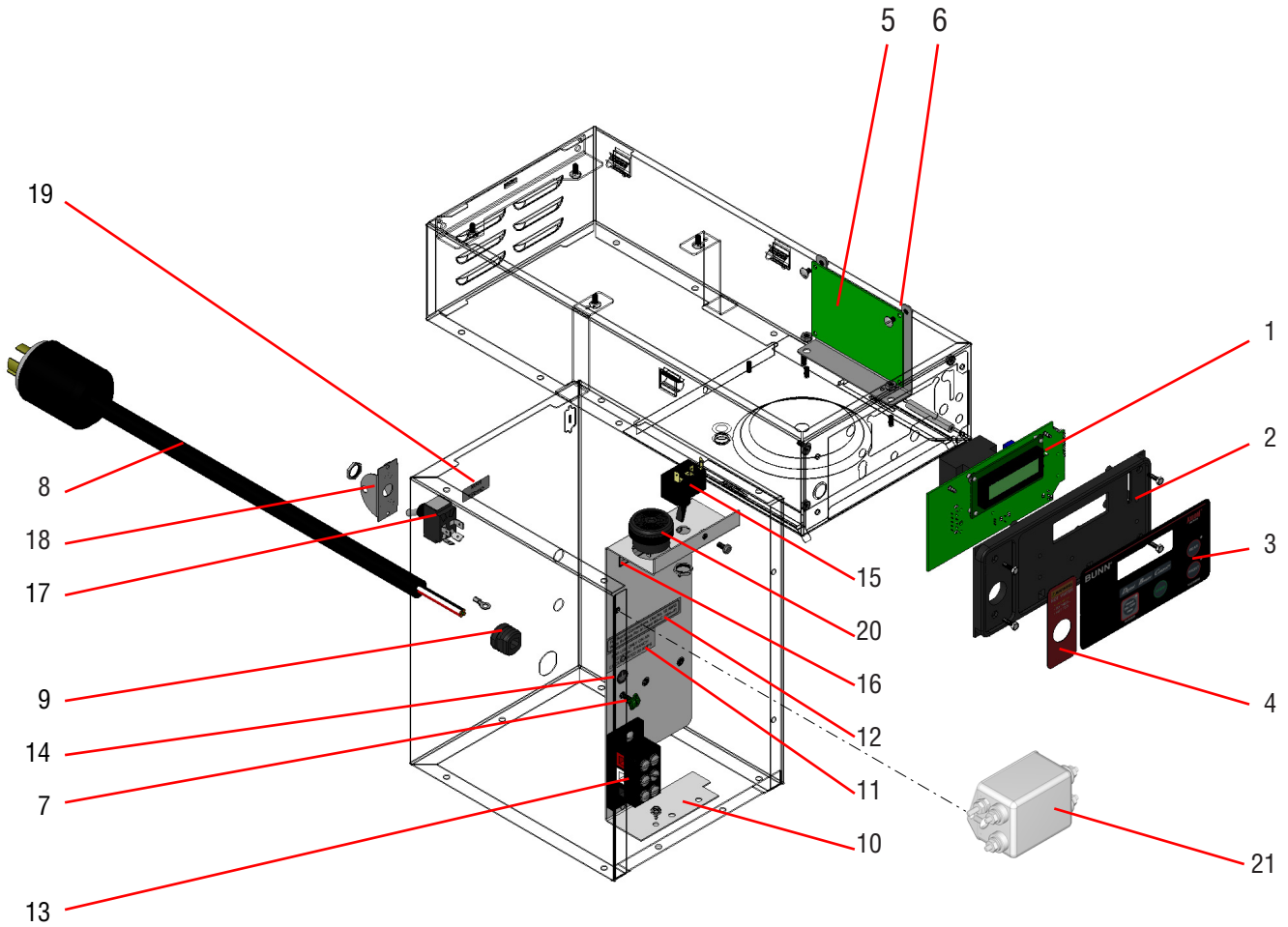


FUNNEL & CARAFE

ITEM	PART NO.	QTY.	DESCRIPTION
1	20216.0000	1	Funnel Assy, 7.12" SST Black Handle (Includes items 2-7)
	20216.0001	1	Funnel Assy, 7.12" SST Orange Handle (Includes items 2-7)
2	-----	1	Funnel Body, 7.12" SST (Order item 1)
3	33088.0000	1	Filter Basket, 7.12" SST
4	20244.1000	1	Handle Kit, Black (Includes mounting screw below)
	20244.1001	1	Handle Kit, Orange (Includes mounting screw below)
	01331.0002	1	Screw, Round Head 10-32 x 1.5"
6	03408.0002	1	Decal, Warning - Remove Funnel
7	03409.0002	1	Decal, Warning - Hot Liquid
8	42929.1000	1	Kit, Strap
9	42930.1000	1	Kit, RFID Holder
10	42931.1000	1	Kit, RFID Assy, Holder & Strap



ELECTRICAL AND OPERATING CONTROLS



* Indicates the part number listed is OBSOLETE.

^ Indicates the part number listed is for reference only.

ELECTRICAL AND OPERATING CONTROLS

ITEM	PART NO.	QTY.	DESCRIPTION
1	42533.1000	1	PC Board, Control (120V) (RoHS)
	42533.1007	1	PC Board, Control (230V) (230V CE Models only)
	38044.0000	2	Screw, PNH Plastite #6 x .375"
	01518.0000	2	Washer, Nylon #6
2	38842.0002	1	Face Plate
	29082.0000	4	Screw, Hex-head #6-32 x .5"
	00973.0000	3	Nut, Keps #6-32
	29263.0000	1	Nut, Standoff #6-32 x 2.0"
3	38876.0001	1	Switch, Membrane - 3 Warmers (Right)
4	29007.0003	1	Decal, HOT WATER (Brewers with Faucet)
5	40881.1000	1	CBA, RFID
	01308.0002	2	Screw, TRH #6-32 x .25"
6	43519.1000	1	Kit, Bracket, CBA Mounting
	00970.0000	2	Nut, Keps #8-32
7	37804.0000	1	Screw, Grounding #8-32 x .5"
8	01699.0000	1	Power Cord (120/240V Models only)
	38074.1026	1	Power Cord (230V CE Models only) Includes Strain Relief Bushing
9	01685.0000	1	Bushing, Strain Relief (120/240V Models)
10	28740.1006	1	Bracket, Component Mtg.
	02308.0000	1	Screw #8-32 x .375"
	02332.0001	1	Screw, Hex Crimptite #6-32 x .25"
11	00985.0000	1	Decal, Individual Circuit Info
12	12394.0002*	1	Decal, Supply Connection (Not Available)
13	07038.0000	1	Terminal Block, 3-pole 120/240v
	01106.0000	1	Terminal Block, 2-pole (230V CE Models only)
	01317.0000	2	Screw #8-32 x .5"
14	00824.0000	1	Decal, Ground
15	23522.0001	1	Toggle Switch, DV (Includes Nut)
	23696.0000	1	Nut, Hex
16	34056.0000	1	Decal, (120V-120/240V)
17	40763.0001	1	Toggle Switch, Main ON/OFF (Includes Nut)
	23696.0000	1	Nut, Hex
18	25102.0000	1	Bracket, Switch Indicator/Guard
19	41405.0000	1	Decal, Main On/Off
20	43133.1000	1	Kit, Audio Alarm
21	29446.0004	1	EMI Filter (CE Models Only)
	01315.0000	2	Screws, SST 8-32 x .375"

The Following Items Are Not Illustrated

22	39048.0000	1	Wiring Harness, Level Probes to Board
23	41390.0003	1	Wiring Harness, Main DV
	41390.0001	1	Wiring Harness, Main 208-240V
	29072.0023	1	Wiring Harness, Main (230V CE Models only)
24	02812.0001	1	Wiring Harness, Upper Warmers to 3 pin connector
25	43032.1000	1	Wiring Harness, RFID CBA to Main CBA
26	43250.1000	1	Wiring Harness, Beeper to Main CBA
27	34707.0004	1	Wiring Harness, EMI to Term. Block (230V CE Models only)

* Indicates the part number listed is for reference only. See DESCRIPTION for possible service replacement.

NUMERICAL INDEX

PART NO.	PAGE NO.	PART NO.	PAGE NO.	PART NO.	PAGE NO.	PART NO.	PAGE NO.
00459.0000.....	11	07412.1002.....	7	33088.0000.....	15	43519.1000.....	17
00463.0000.....	11	07412.1003.....	7	33801.0001.....	7	43644.0000.....	11
00656.0001.....	5	11408.1002.....	5	33937.0004.....	7		
00658.0000.....	5	11438.0000.....	13	34056.0000.....	17		
00669.0003.....	5	11440.0005.....	13	34061.1000.....	5		
00824.0000.....	17	11440.0008.....	13	34061.1036.....	5		
00908.0000.....	7	11442.0000.....	13	34074.1020.....	7		
00916.0000.....	13	11517.0008.....	9	34074.1032.....	7		
00942.0000.....	7	11630.0001.....	11	34074.1041.....	7		
00943.0000.....	7,9	12364.0000.....	5	34397.0000.....	11		
00970.0000.....	5,9,13,17	12394.0002.....	17	34707.0004.....	17		
00973.0000.....	17	12422.0001.....	9,11	35260.0001.....	5		
00985.0000.....	17	12422.0005.....	9,11	35712.0000.....	5		
00986.0000.....	5	12422.0006.....	11	37297.0003.....	11		
00988.0000.....	5	12422.0009.....	9	37804.0000.....	17		
01075.0000.....	9	13042.0001.....	13	37881.0000.....	5		
01227.0000.....	13	13054.0000.....	9	37881.0002.....	5		
01303.0000.....	13	20216.0000.....	15	37930.0001.....	5		
01308.0002.....	17	20216.0001.....	15	38044.0000.....	17		
01315.0000.....	17	20244.1000.....	15	38074.1026.....	17		
01317.0000.....	17	20244.1001.....	15	38114.0000.....	7		
01331.0002.....	15	20526.2500.....	11	38227.0000.....	9		
01382.0000.....	5	20976.0008.....	9	38842.0000.....	17		
01511.0000.....	7	20976.0056.....	11	38876.0001.....	17		
01518.0000.....	17	20976.1001.....	11	38969.0001.....	7		
01532.0000.....	11	20976.1002.....	11	39048.0000.....	17		
01544.0000.....	9	20976.1004.....	11	39085.0001.....	7		
01593.0000.....	5	22306.0000.....	5	39149.0001.....	9		
01685.0000.....	17	23522.0001.....	17	40056.0003.....	11		
01699.0000.....	17	23696.0000.....	17	40670.0005.....	9		
01951.0000.....	13	24805.0000.....	5	40763.0001.....	17		
02308.0000.....	5,17	24806.1010.....	5	40792.1001.....	5		
02325.0001.....	11	24806.1012.....	5	40881.1000.....	17		
02328.0000.....	13	25102.0000.....	17	41390.0001.....	17		
02332.0001.....	17	25137.0000.....	5	41390.0003.....	17		
02332.0002.....	5	25151.0001.....	5	41405.0000.....	17		
02594.0000.....	9	27370.0000.....	9	41499.1001.....	9		
02595.0000.....	9	27370.0002.....	9	41499.1002.....	9		
02755.1000.....	7	28735.0002.....	7	41578.0000.....	11		
02766.0000.....	9	28740.1006.....	17	41580.0000.....	11		
02805.1000.....	7	29007.0003.....	17	41716.1004.....	11		
02812.0001.....	17	29072.0023.....	17	42025.0000.....	11		
02854.0000.....	9	29075.0000.....	9	42025.0001.....	11		
02856.0005.....	9	29077.0027.....	5	42533.1000.....	17		
02858.0000.....	9	29077.0028.....	5	42533.1007.....	17		
02861.0003.....	9	29082.0000.....	17	42929.1000.....	15		
03408.0002.....	15	29263.0000.....	17	42930.1000.....	15		
03409.0002.....	15	29264.0000.....	9	42931.1000.....	15		
03652.0000.....	13	29329.1000.....	7	42964.1000.....	13		
03656.0000.....	13	29446.0004.....	17	43032.1000.....	17		
04221.0000.....	7	29485.1001.....	7	43133.1000.....	17		
05037.1000.....	7	29710.0007.....	5	43226.1001.....	9		
05212.0000.....	13	32283.0000.....	11	43250.1000.....	17		
07038.0000.....	17	32591.0032.....	9	43467.1001.....	5		

